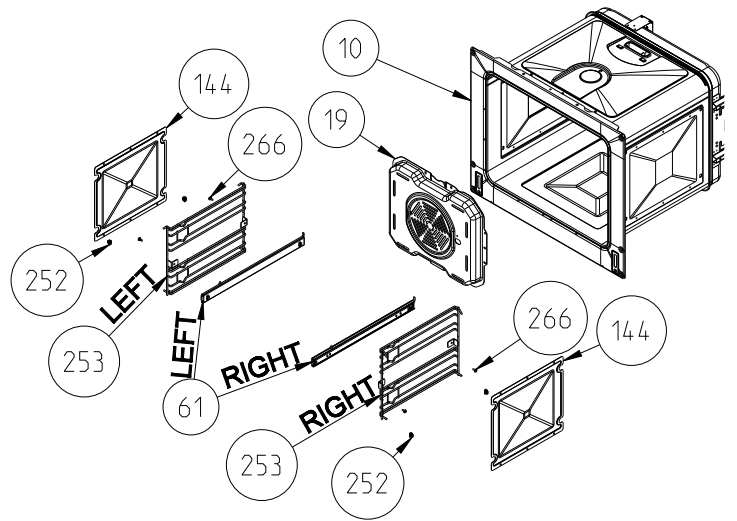
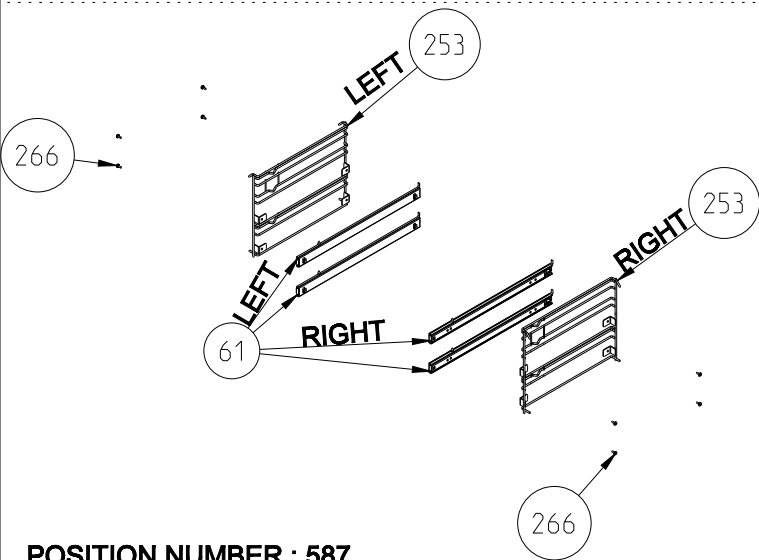


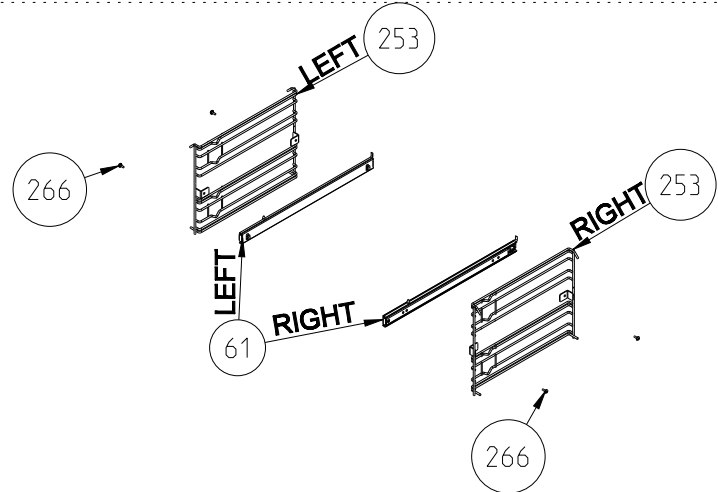
**WIRE SHELF CAVITY ASSEMBLY
WITH/ WITHOUT CATALYTIC PANEL
OPTIONAL:DOUBLE TELESCOPIC RAIL (R / L)**



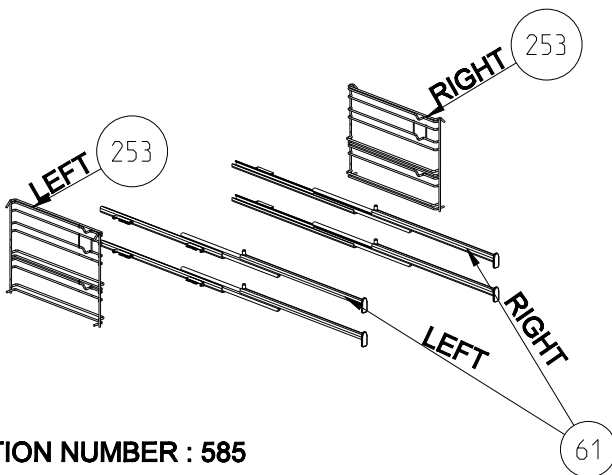
**WIRE SHELF CAVITY ASSEMBLY
WITH/ WITHOUT CATALYTIC PANEL
OPTIONAL:TELESCOPIC RAIL (R / L)**



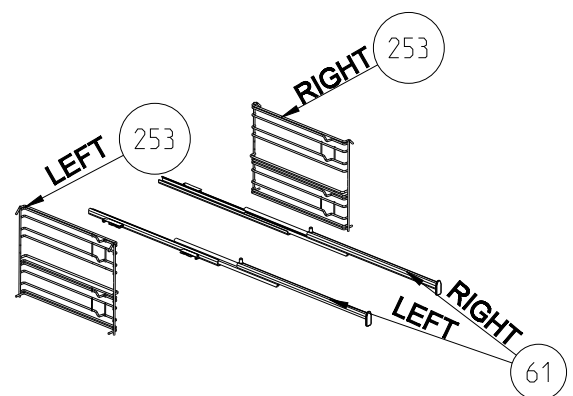
**POSITION NUMBER : 587
WIRE SHELF (SINGLE EXTENSION)
OPTIONAL:DOUBLE TELESCOPIC RAIL (R / L) GROUP**



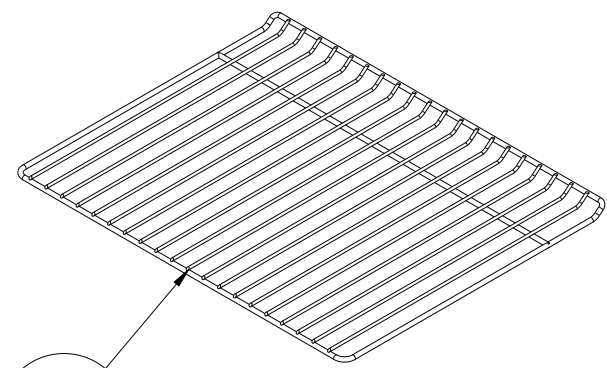
**POSITION NUMBER :588
WIRE SHELF (SINGLE EXTENSION)
OPTIONAL: SINGLE TELESCOPIC RAIL (R / L) GROUP**



**POSITION NUMBER : 585
WIRE SHELF (FULL EXTENSION)
OPTIONAL:DOUBLE TELESCOPIC RAIL (R / L) GROUP**

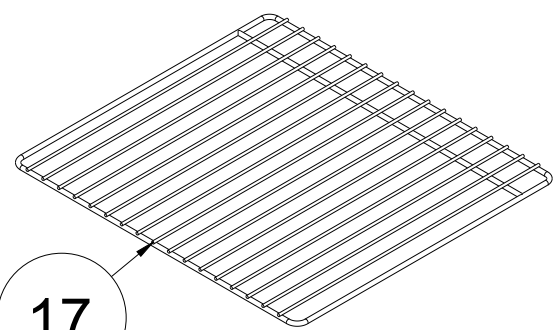


**POSITION NUMBER: 586
WIRE SHELF (FULL EXTENSION)
OPTIONAL: SINGLE TELESCOPIC RAIL (R / L) GROUP**



17

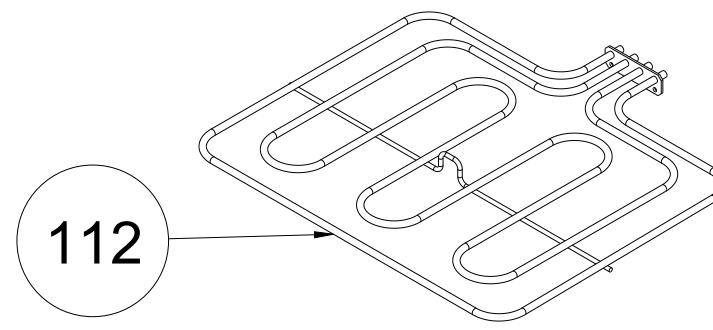
LOCKED



17

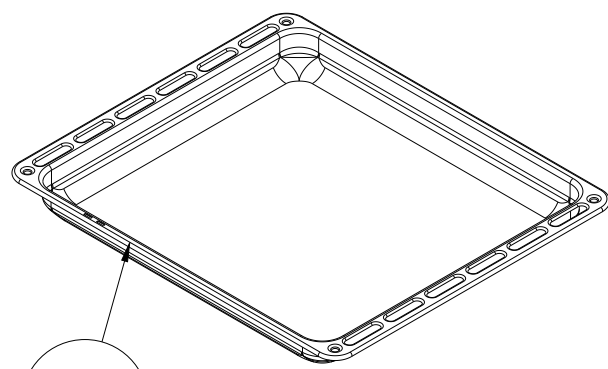
W. TELESCOPIC RAIL

GRID (OPTIONAL)



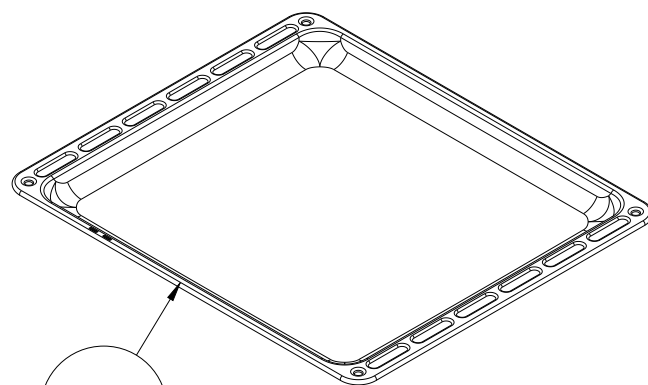
112

TOP AND GRILL HEATING ELEMENT (OPTIONAL)



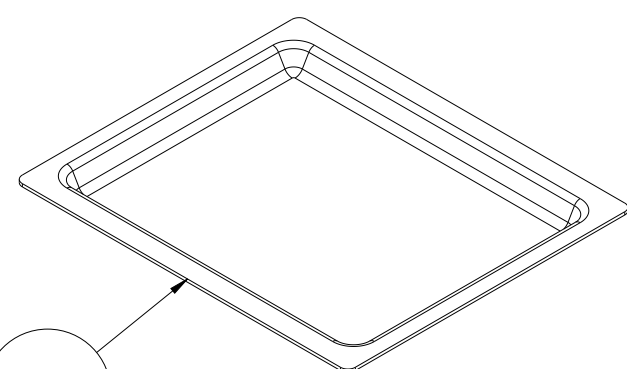
15

DEEP



15

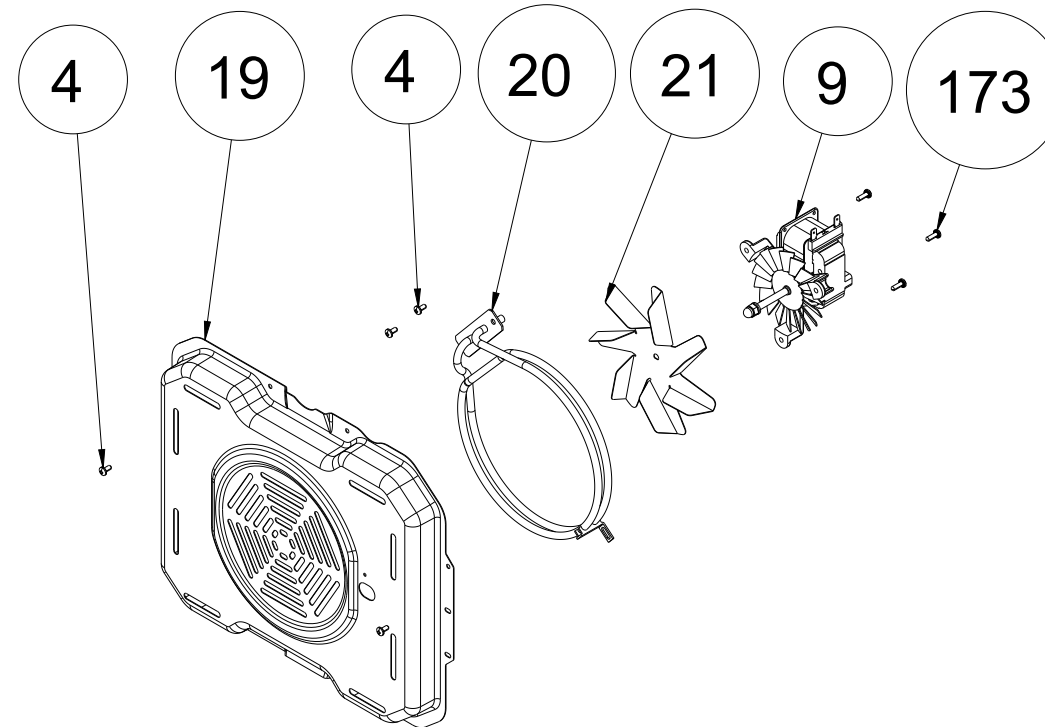
SHALLOW



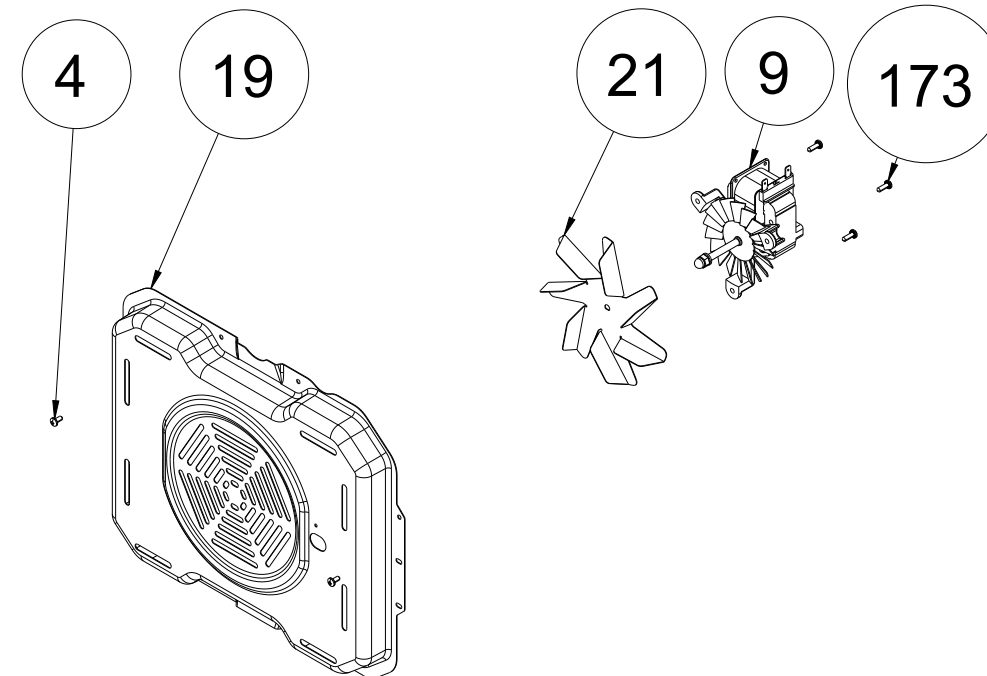
15

GLASS

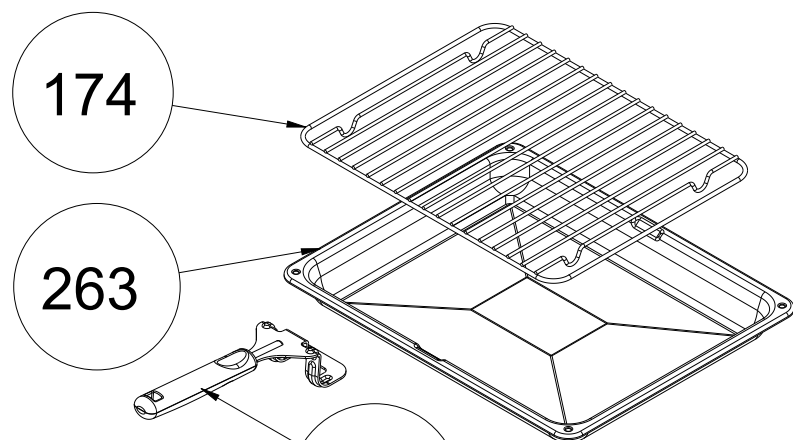
TRAYS (OPTIONAL)



RING HEATING ELEMENT WITH FAN (OPTIONAL)



(FAN COVER/ FAN IMPELLER(6 WINGS) / FAN MOTOR) (OPTIONAL)

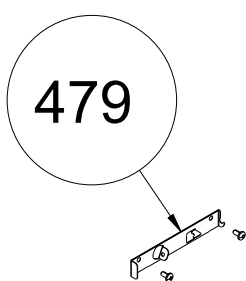


174

263

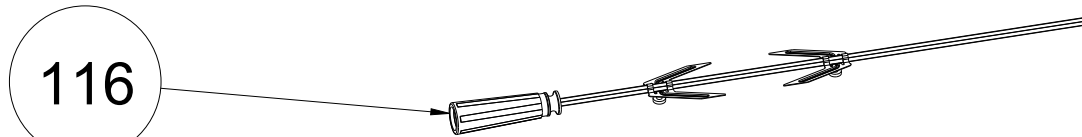
264

GRILL PAN AND HANDLE SET (TRAY SET FOR GRILL) - POSITION NO 265 (OPTIONAL)



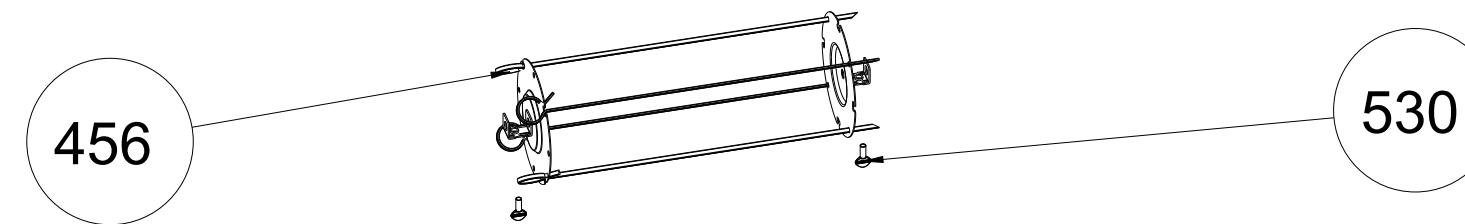
479

THERMIST BULB HOLDER/BACKET



116

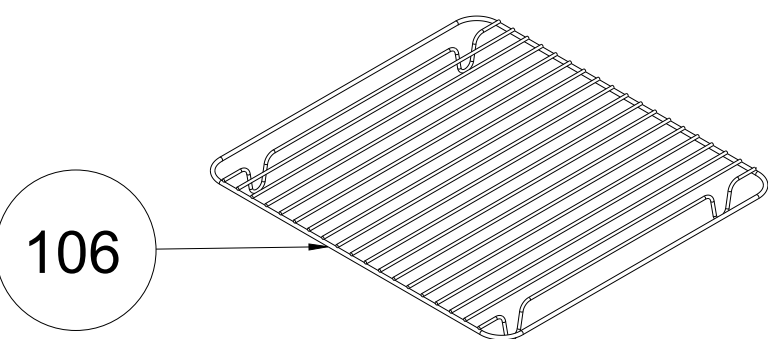
TURNSPIT SKEWER



456

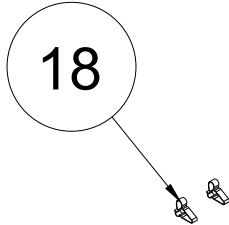
530

SHISH KEBAB ACCESSORY (OPTIONAL)

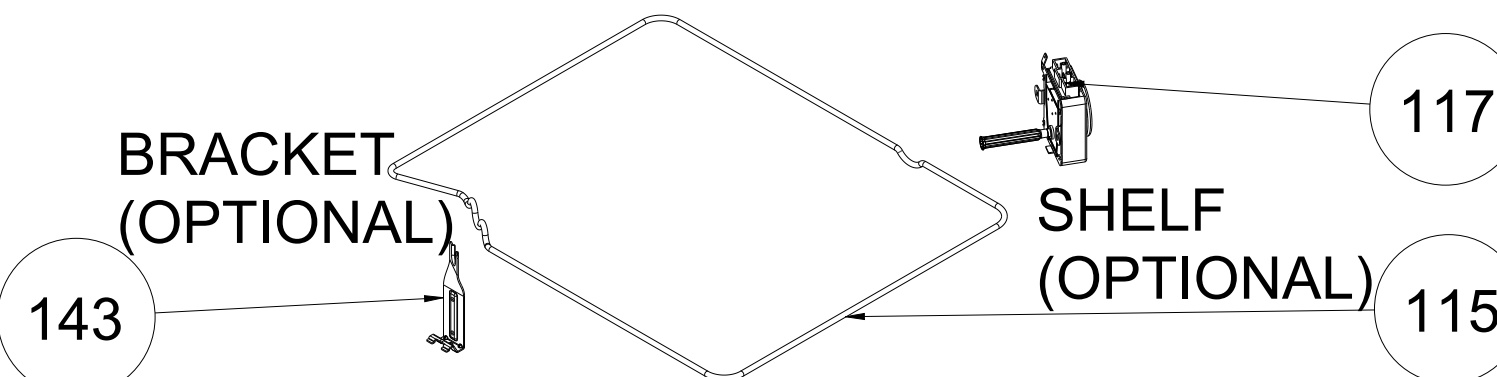


106

DEEP TRAY GRID (OPTIONAL)



18



143

BRACKET (OPTIONAL)

SHELF (OPTIONAL)

117

115

TURNSPIT (OPTIONAL)

EXPLODED VIEW - CAVITY ASSEMBLY

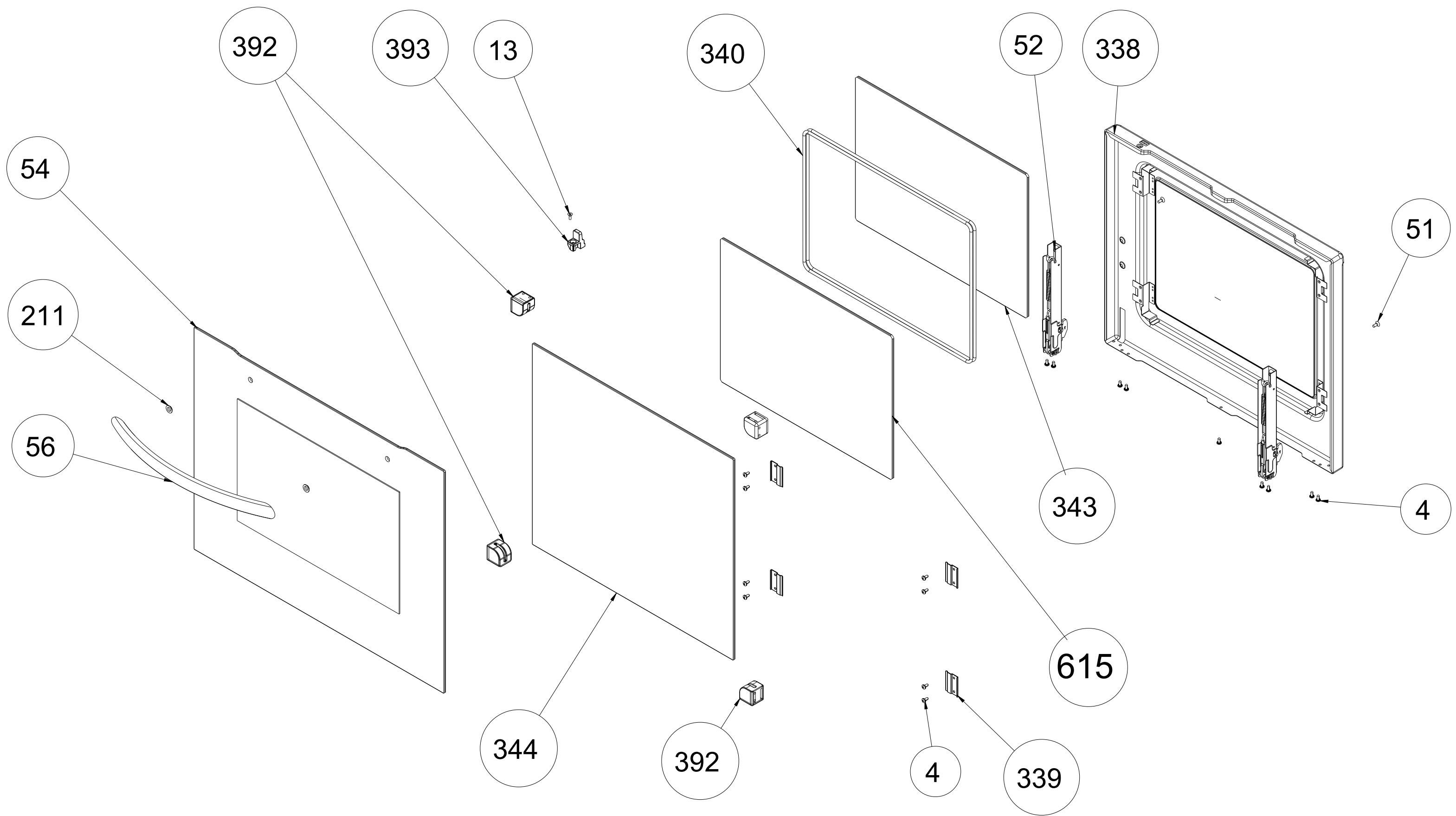
CAVITY ASSEMBLY PARTS	
POSITION NUMBER	PART NAME
2	OVEN LIGHT
4	SCREW (3.9*9.5)
7	REAR INSULATION COVER
9	FAN MOTIOR
10	CAVITY
12	HINGE COUNTERPART (LEFT / RIGHT)
13	SCREW (M4*8)
14	BOTTOM INSULATION COVER
15	TRAY (DEEP / SHALLOW / GLASS)
16	OVERN DOOR GASKET
17	GRID (LOCKED ,W.TELESCOPIC RAIL)
18	THERMOSTAT BULB BRACKET
19	FAN COVER (NO TRUNSPIT,BLACK)
20	RING TUBULAR HEATING ELEMENT
21	FAN IMPELLER(6 WINGS)
40	SCREW (KNURLED,3.5*9.5)
61	TELESCOPIC RAIL (RIGHT /LEFT)
71	SCREW (KNURLED,3.9*6.5)
80	SCREW (KNURLED,M4*6)
82	CAPILLARY THERMOSTAT
106	DEEP TRAY GRID
110	BOTTOM HEATING ELEMENT
111	BOTTOM HEATING ELEMENT HOLDER
112	TOP AND GRILL HEATING ELEMENT
114	TOP AND HEATING ELEMENT BULB BRACKET
115	TURNSPIT GRILL
116	TURNSPIT SKEWER
117	TURNSPIT MOTOR
143	TRUNSPIT HOUSE (ONLY CAN BE USED WITH (DEEP/SHALLOW)TRAY)
144	CATALYTIC PANEL WITH WIRE SHELF (ENAMELLED)
	SHELF COVER (RIGHT / LEFT,CATALYTIC ENAMELLED)
173	SCREW (3.9*13)
174	TRAY GRID
252	WIRE SHELF FIXING CLIP
253	WIRE SHELF (RIGHT, LEFT)
263	GRILL PAN
264	GRILL PAN HANDLE
265	TRAY SET(SMALL,BLACK)
266	SCREW (M4*4T, STAINLESS)
328	WASHER (ENAMELLED,BLACK)
448	LIMIT THERMOSTAT NC 170° C / 200° C
454	LIMIT THERMOSTAT NC 125° C
456	SHISH KEBAB ACCESORY
479	THERMOSTAT BULB HOLDER(ELECTRIC)
515	ELECTRONIC THERMOSTAT(ELC)

The exploded views given in this doucment are generic.They include all possible versions of product.
For specific part codes,please refer to the bom list of regarding model.

CAVITY ASSEMBLY PARTS

POSITION NUMBER	PART NAME
530	EYE SCREW (M5*12,AISI304)
551	OVEN LAMP RESISTOR
585	STRING SHELF GROUP (FULL EXTENSION)
586	STRING SHELF GROUP (FULL EXTENSION)
587	STRING SHELF GROUP (SINGLE EXTENSION)
588	STRING SHELF GROUP (SINGLE EXTENSION)
608	LIMITER BRACKET WITH SCREWING
618	OVEN LAMP
636	DOUBLE SPEED FAN MOTOR FR34R423399955
637	A PLUS CARD HOLDER PLASTIC

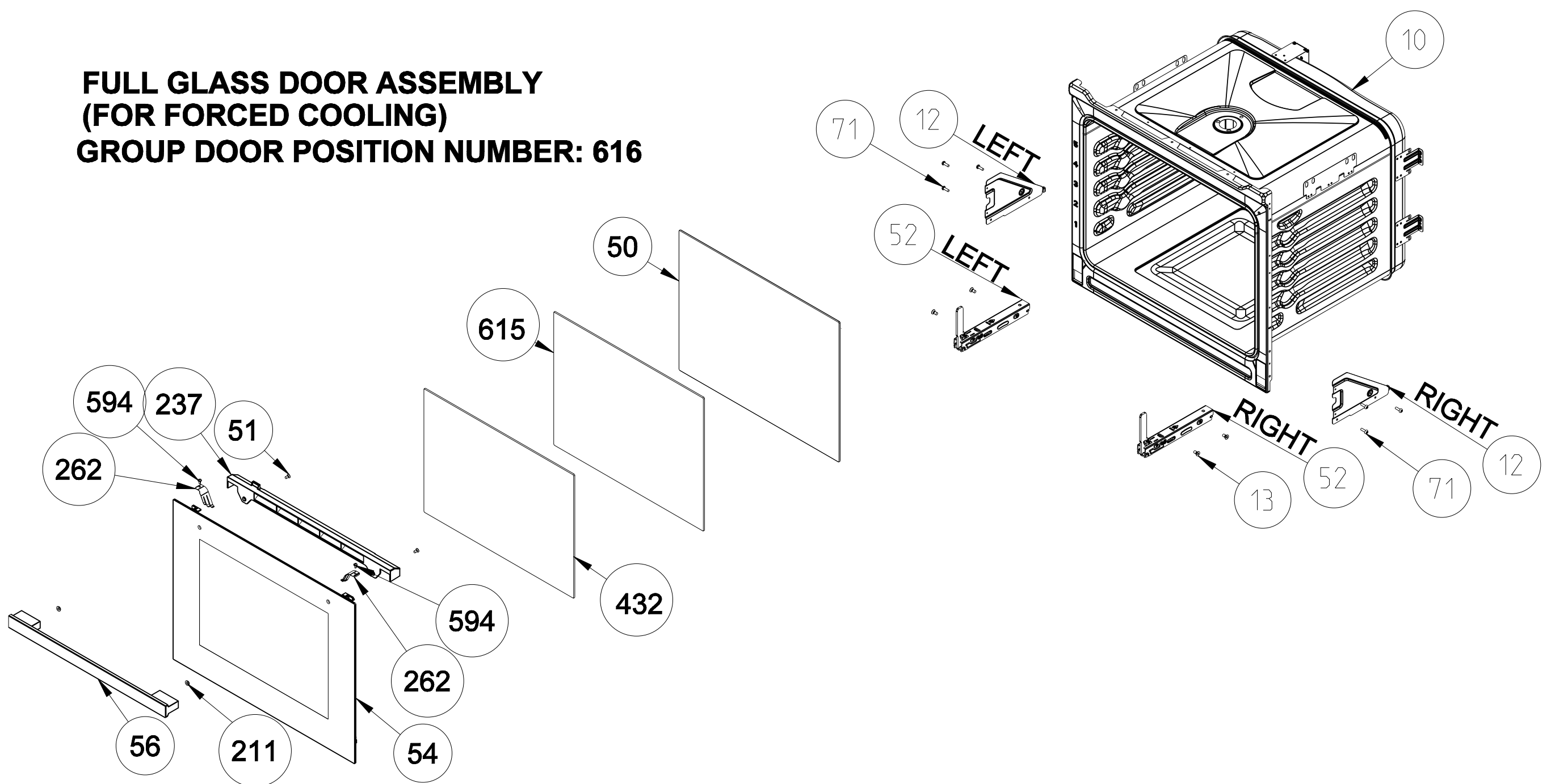
The exploded views given in this document are generic.They include all possible versions of the product.
For specific part codes,please refer to the bom list of regarding model.



OVEN DOOR ASSEMBLY (OUTER & INNER)
(POSITION NO 378)

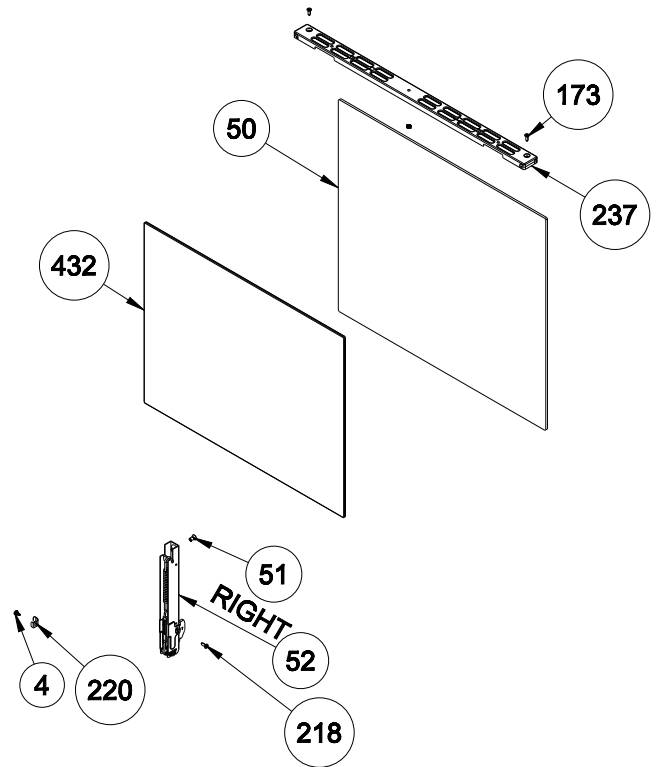
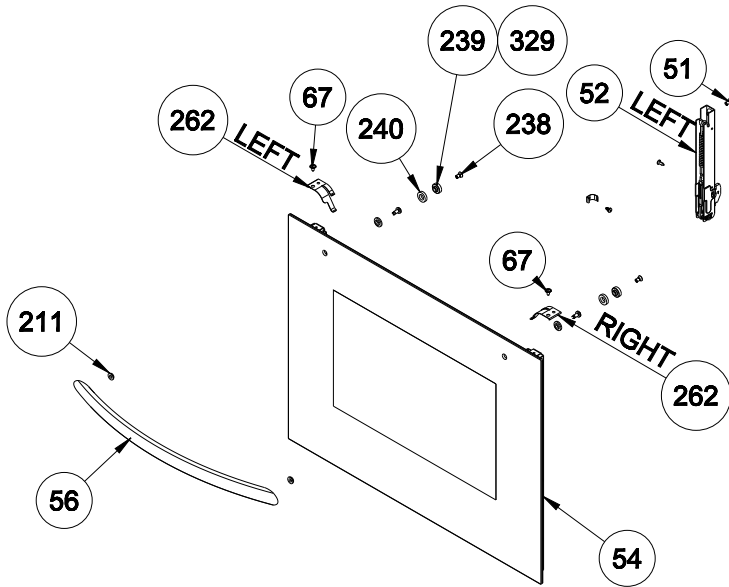
FULL GLASS DOOR ASSEMBLY (FOR FORCED COOLING)

**FULL GLASS DOOR ASSEMBLY
(FOR FORCED COOLING)
GROUP DOOR POSITION NUMBER: 616**

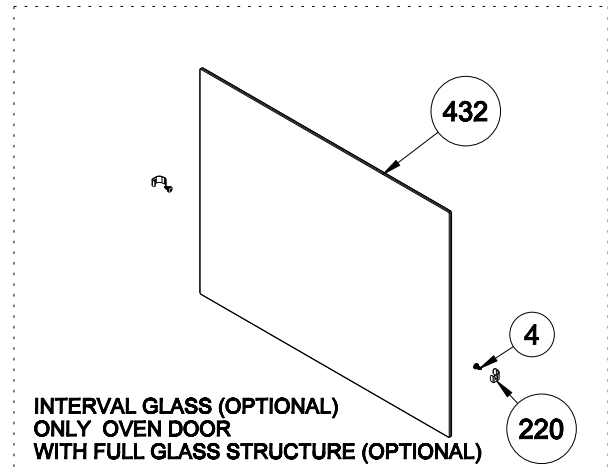
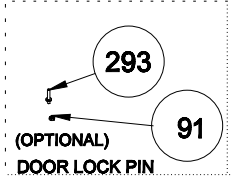
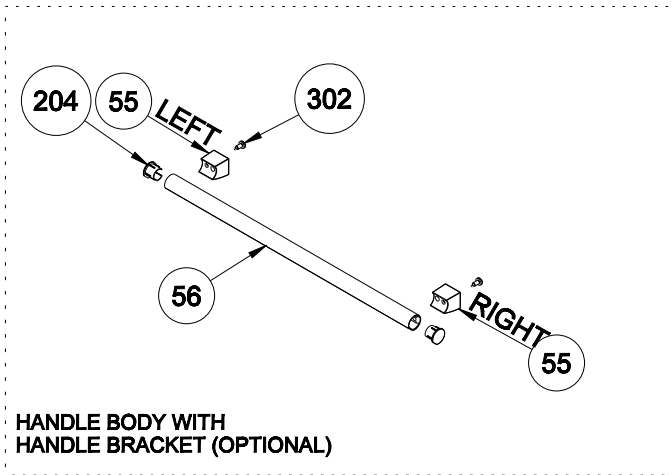


OVEN DOOR ASSEMBLY EXPLODED VIEW (OPTIONAL)

POSITION
NUMBER :377
(DOOR)

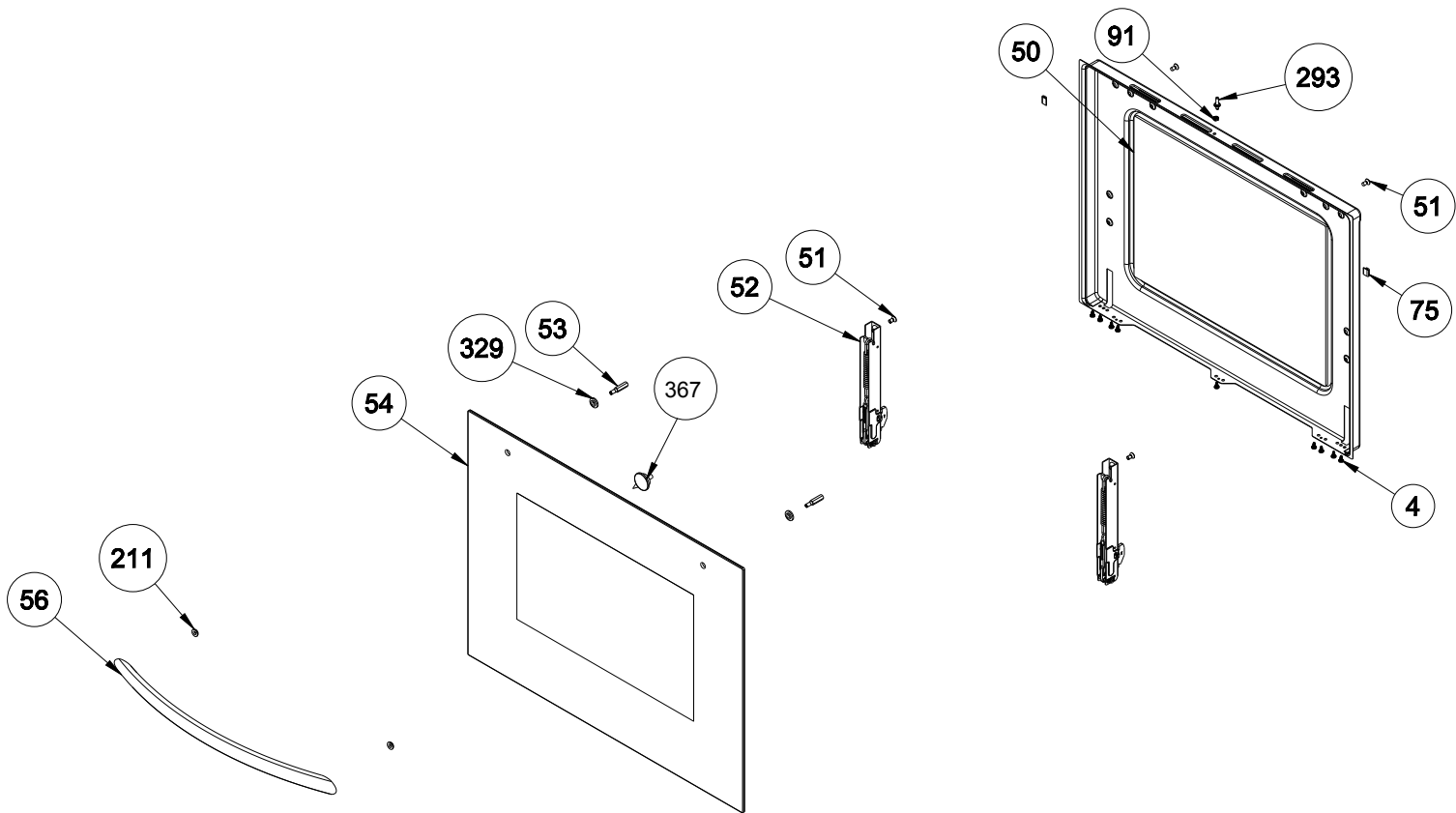


Note :
220,239,240,432 is for Removable Third Glass Versions
262,67 is for Removable Glass Versions



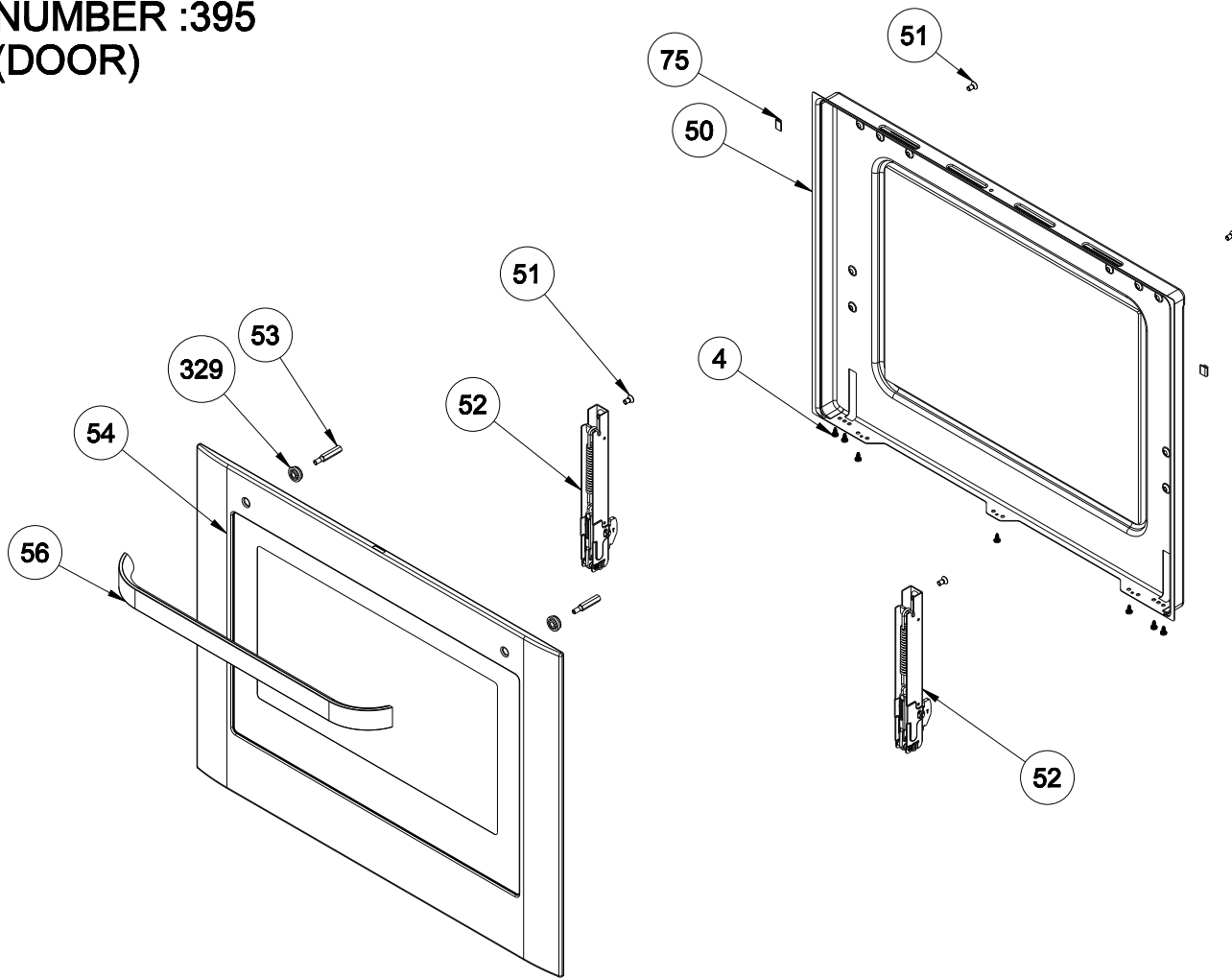
SOLID TYPE OVEN DOOR ASSEMBLY EXPLODED VIEW
(FRONT VIEW OF GLASS)
(OPTIONAL)

POSITION
NUMBER :376
(DOOR)

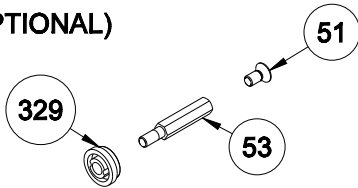


**SOLID TYPE OVEN DOOR ASSEMBLY EXPLODED VIEW
(FRONT VIEW OF METAL WITH GLASS) (OPTIONAL)**

**POSITION
NUMBER :395
(DOOR)**

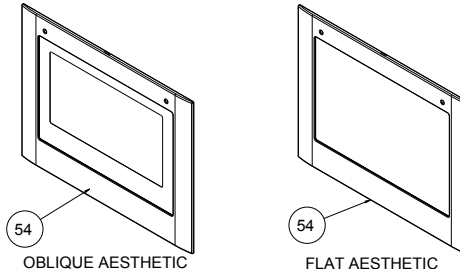


(OPTIONAL)



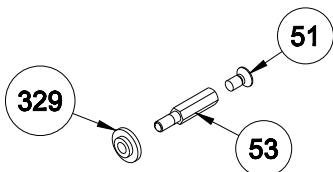
TYPE 1

**HANDLE ASSEMBLY GROUP
POSITION NUMBER : 49
(OPTIONAL)**



SOLID TYPE - POSITION NO 54 (OPTIONAL)

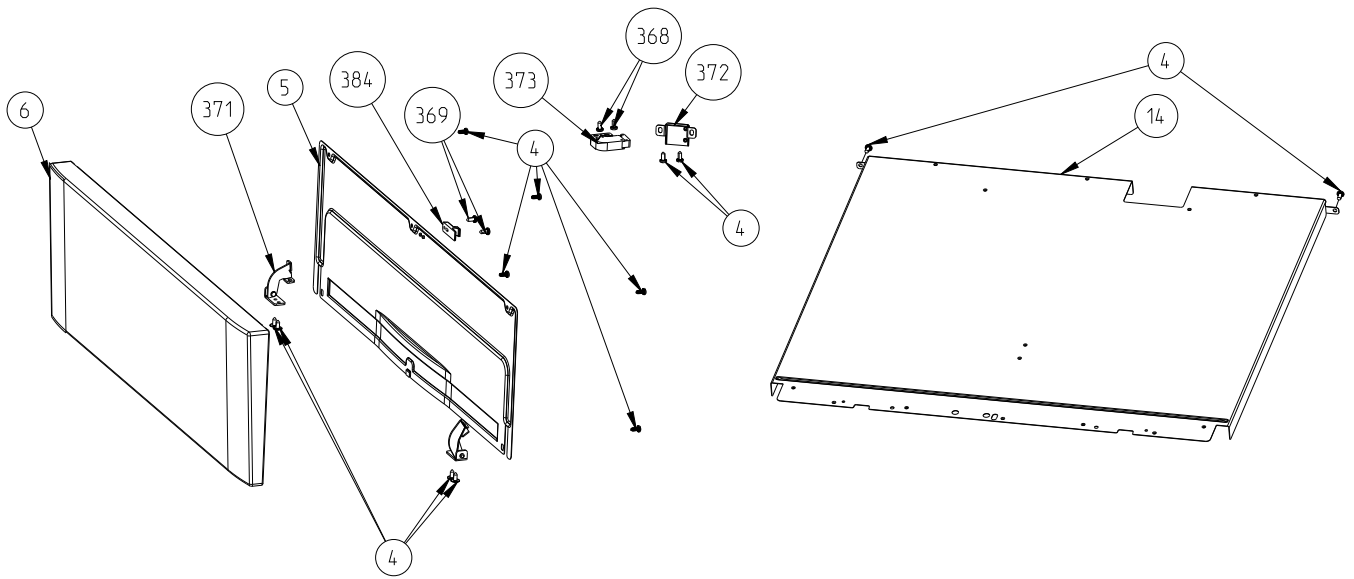
(OPTIONAL)



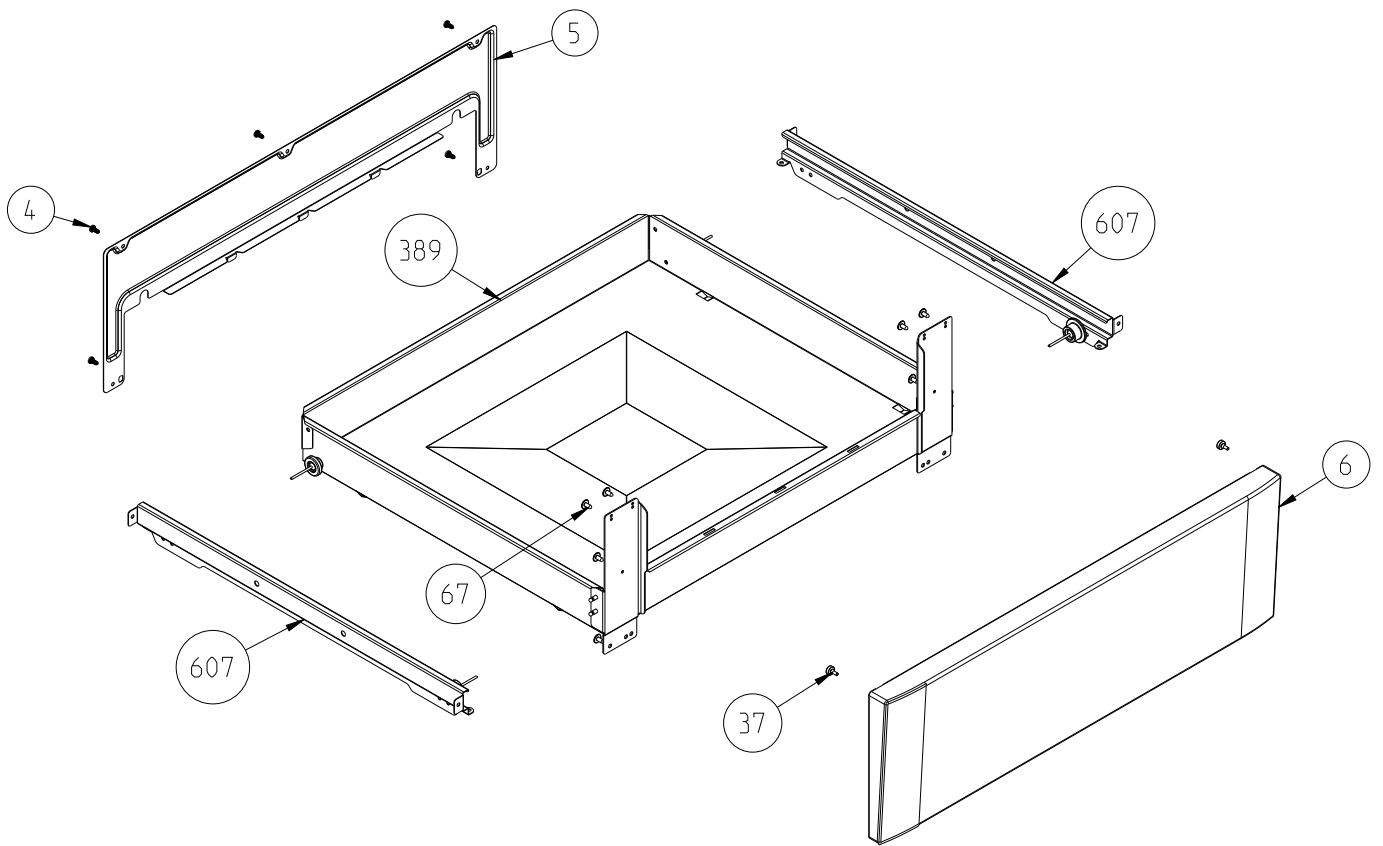
TYPE 2

**HANDLE ASSEMBLY GROUP
POSITION NUMBER : 49
(OPTIONAL)**

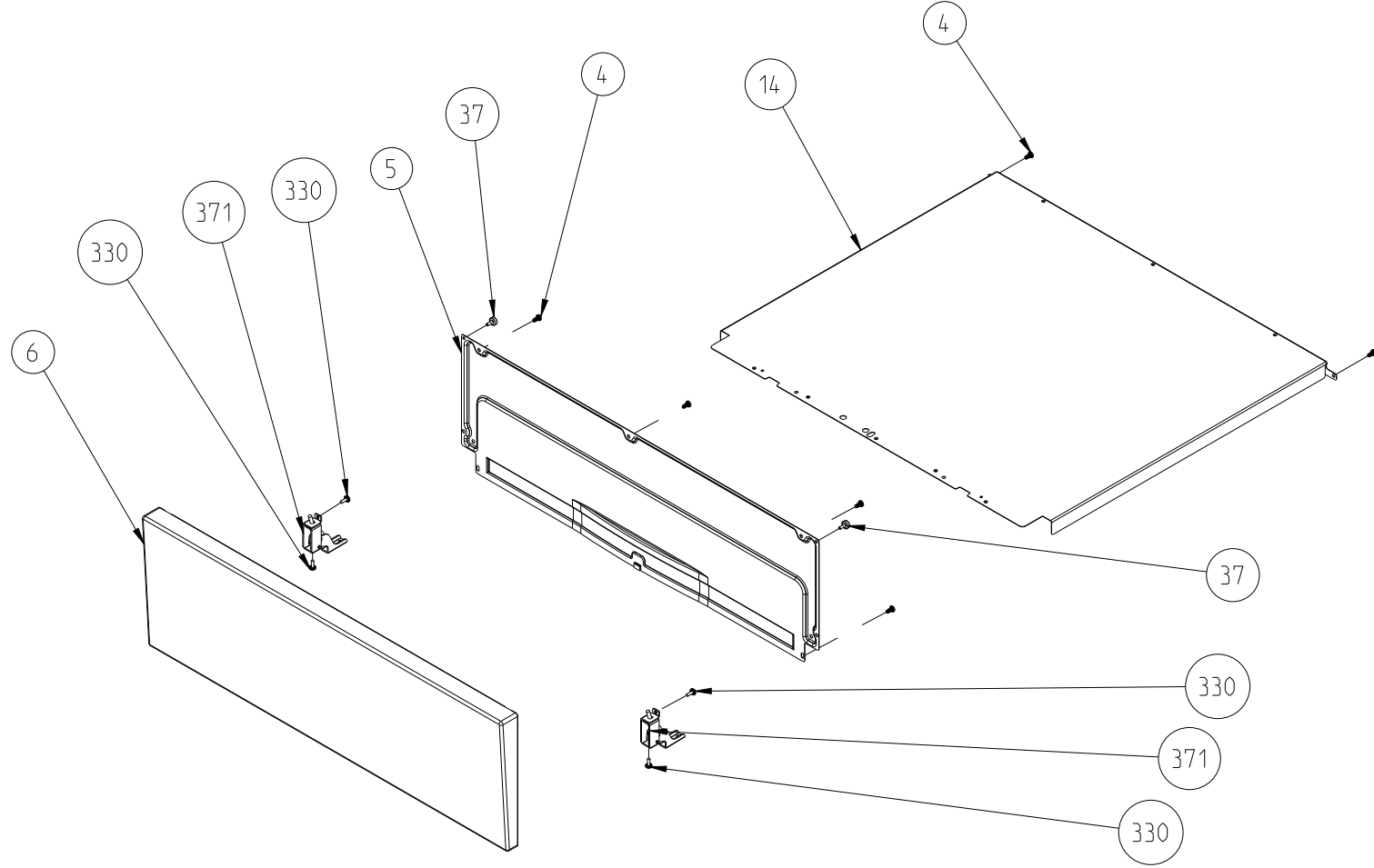
DOOR ASSEMBLY SPARE PART LIST	
POSITION NUMBER	PART NAME
4	SCREW (KNURLED, 3.9*9.5)
49	HANDLE ASSEMBLY GROUP
50	INNER GLASS ASSEMBLY
51	SCREW (COUNTERSUNK-HEAD, M5*10, BLACK)
52	OVEN DOOR HINGE
54	OUTER GLASS ASSEMBLY
55	HANDLE BRACKET (LEFT-RIGHT)
56	HANDLE BODY
67	SCREW (3.9*9.5, SLIM HEAD)
75	OVEN DOOR SILICONE STOPER
91	NUT (M4)
173	SCREW (COUNTERSUNK-HEAD, 3.9*13)
204	HANDLE TAP (RIGHT-LEFT)
211	HANDLE ASSEMBLY GASKET
218	SCREW (COUNTERSUNK-HEAD,3.9*7.5,BLUNT,BLK)
220	INTERVAL FRONT PANEL SPRING
237	DOUBLE GLAZED OVN DOOR MTLTRIM(NEWG66)
238	SCREW (COUNTERSUNK-HEAD, M5*18, BLACK)
239	HANDLE FIXING BUSH
240	SILICONE WASHER
262	REMOVABLE INNER GLASS SPRING (LEFT / RIGHT)
293	DOOR LOCK PIN
302	SCREW (COUNTERSUNK-HEAD,3.9*7.5,BLUNT,BLK)
329	GRADUAL WASHER
367	THERMOMETER GR(WITH POINTER,150C / GP)
376	SOLID TYPE OVEN DOOR ASSEMBLY(FRONT VIEW OF GLASS)
377	OVEN DOOR ASSEMBLY GROUP
395	SOLID TYPE OVEN DOOR ASSEMBLY (FRONT VIEW OF METAL WITH GLASS)
432	FLAT PROF. DOOR INTERVAL GLASS
<p>The exploded views given in this document are generic.They include all possible versions of product.For specific part codes ,please refer to the bom list of regarding model.</p>	



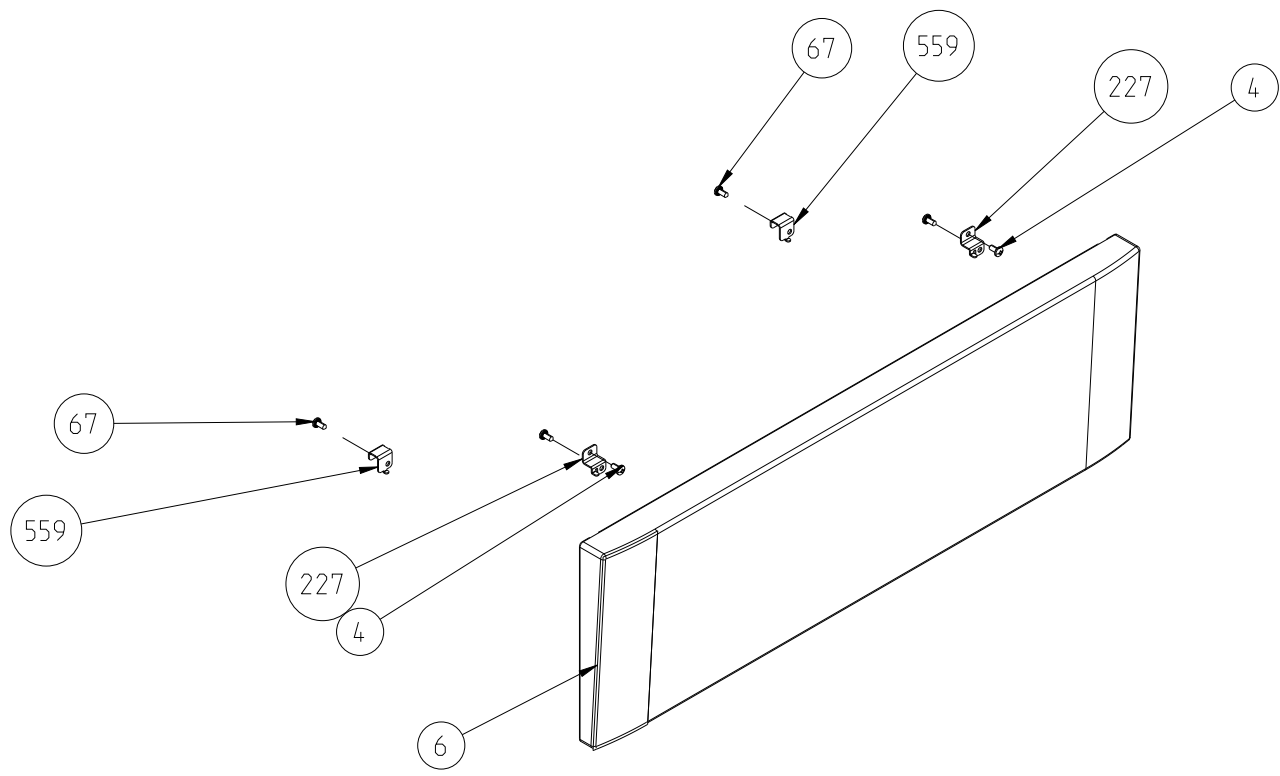
PUSH PULL FLAP DRAWER ASSEMBLY (OPTIONAL)



4WG DRAWER ASSEMBLY (OPTIONAL)

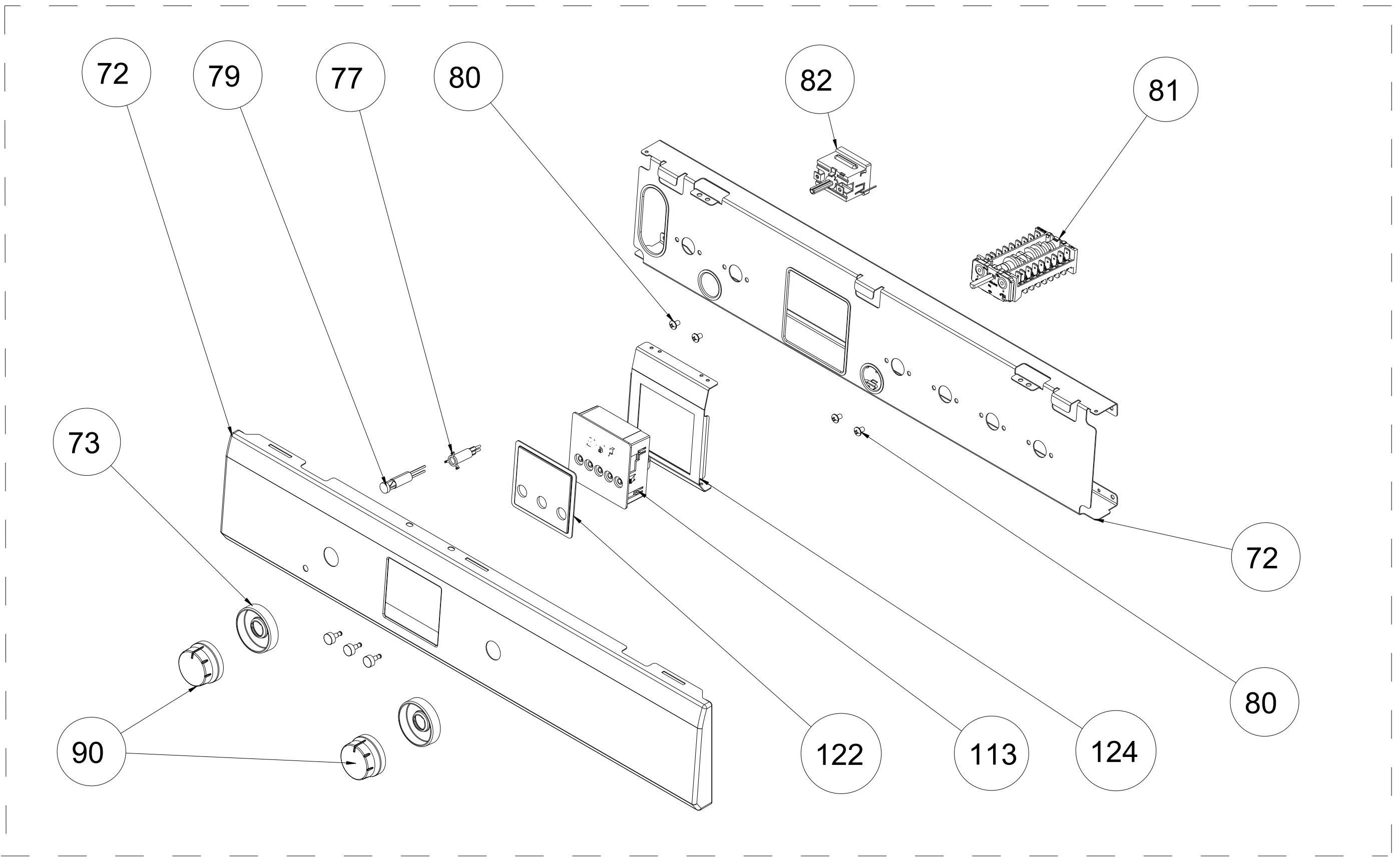


YNTB FLAP DRAWER ASSEMBLY

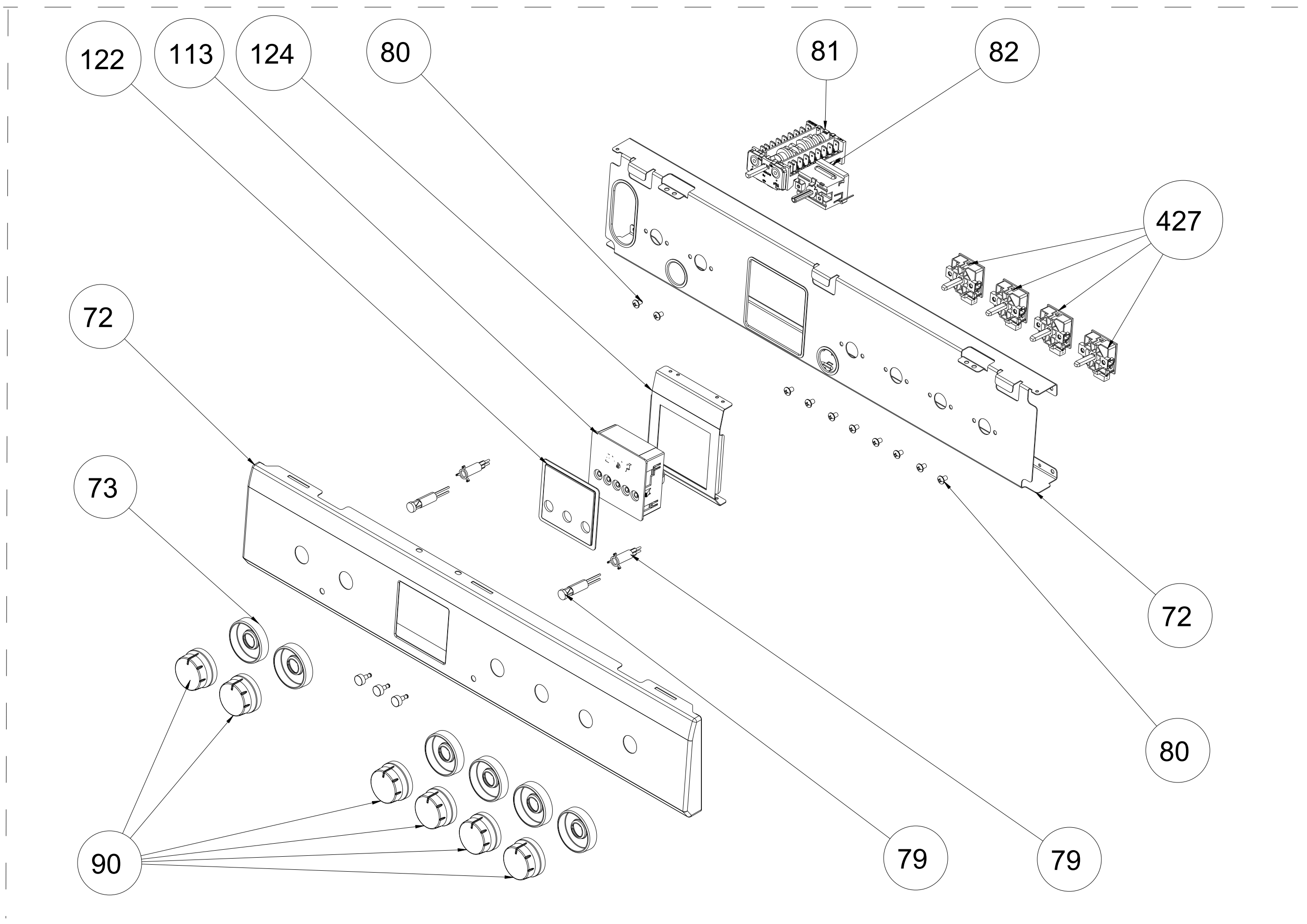


**FIXED DRAWER ASSEMBLY
(OPTIONAL)**

POSITION NUMBER	DESCRIPTION
3	WARMER DRAWER RAIL WHEEL
4	SCREW (CIRCULAR-HEAD, 3.9*9.5, BLACK)
5	WARMER DRAWER INNER COVER
6	WARMER DRAWER PANEL (60*60,3D)
14	BOTTOM INSULATION COVER (60*60)
37	DRAWER PANEL STOPPER
67	CHASSIS BRACKET CONTACT SCREW
227	FIXED DRAWER PANEL TOP BRACKET
330	SCREW (KNURLED,M4*4)
368	SCREW (KNURLED, 2.9*18)
369	SCREW (KNURLED, 2.9*8,BLACK)
371	FLAP DRAWER (HINGE / LEFT)
372	FLAP DRAWER LOCKING BRACKET
373	FLAP DRAWER LOCKING (MINI LATCH)
384	FLAP DRAWER LOCKING COUNTERPART(MINI LATCH)
389	DRAWER BOX
559	FIXED DRAWER PANEL BOTTOM BRACKET(NEW G)
607	4WG DRAWER RAILGROUP
<p>"The exploded views given in this document are generic.They include all possible versions of the product. For specific part codes, please refer to the bom list of regarding model."</p>	



TOUCH CONTROL PANEL ASSEMBLY



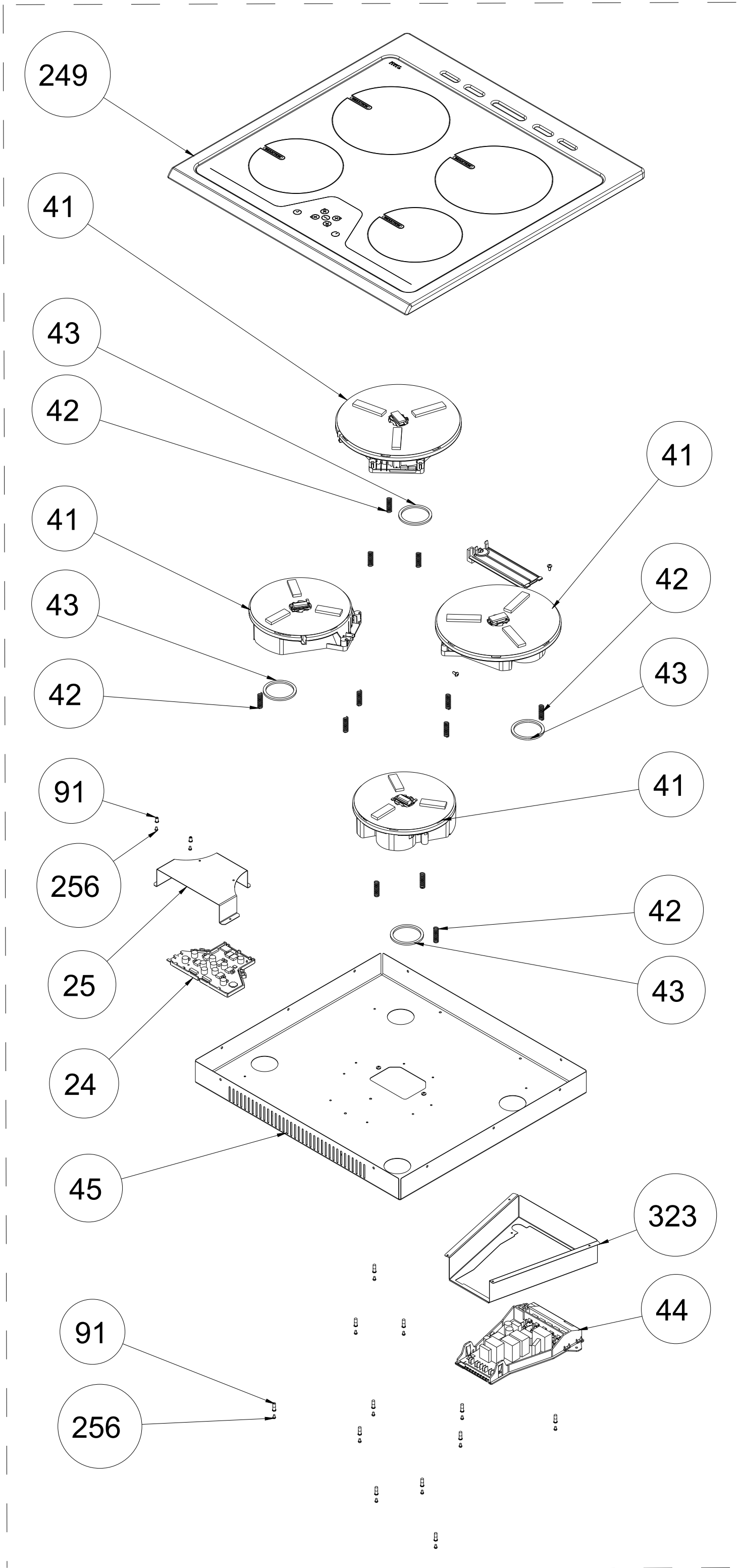
KNOB CONTROL PANEL ASSEMBLY

CONTROL PANEL ASSEMBLY PARTS

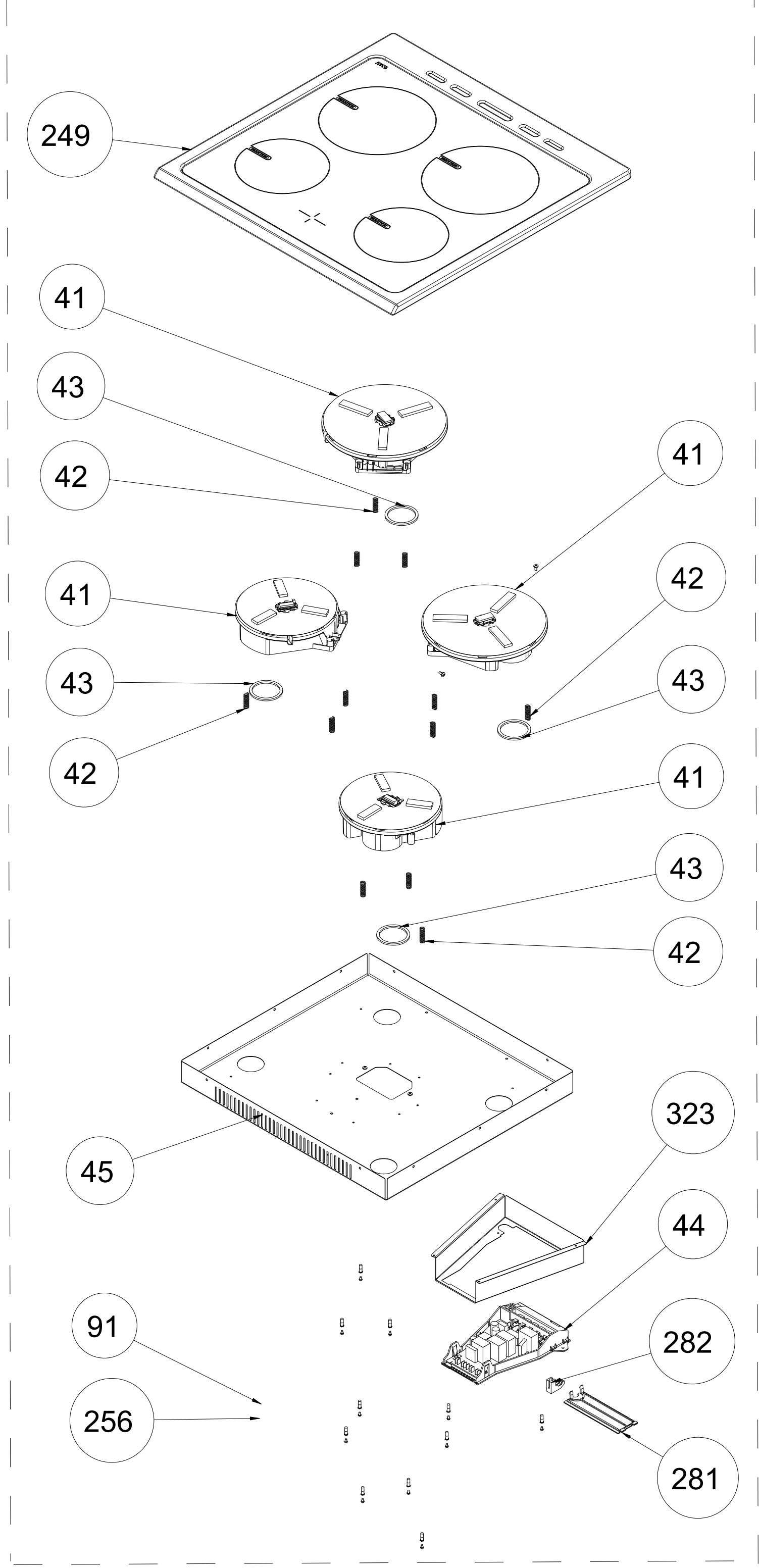
POSITION NUMBER	PART NAME
4	SCREW (KNURLED, 3.9*9.5)
70	INNER PANEL
72	FRONT PANEL GROP (GLASS / METAL)
73	KNOB RING
74	KNOB SPRING
77	SIGNAL LAMP LENS
79	SIGNAL LAMP BODY
80	SCREW (KNURLED, M4*6)
81	FUNCTION SELECTOR SWITCH / HOTPLATE SWITCH
82	CAPILLARY THERMOSTAT
90	KNOB - ELECTRICAL
91	NUT
113	TIMER (MECHANIC / DIGITAL / ANALOG)
122	TIMER LENS
124	TIMER HOLDER (DIGITAL / ANALOG)
137	TIMER BUTTON
427	BSC IND. KNOB ENCODER (ONLY FOR KNOB KONTROL)

“The exploded views given in this document are generic. They include all possible versions of the product.

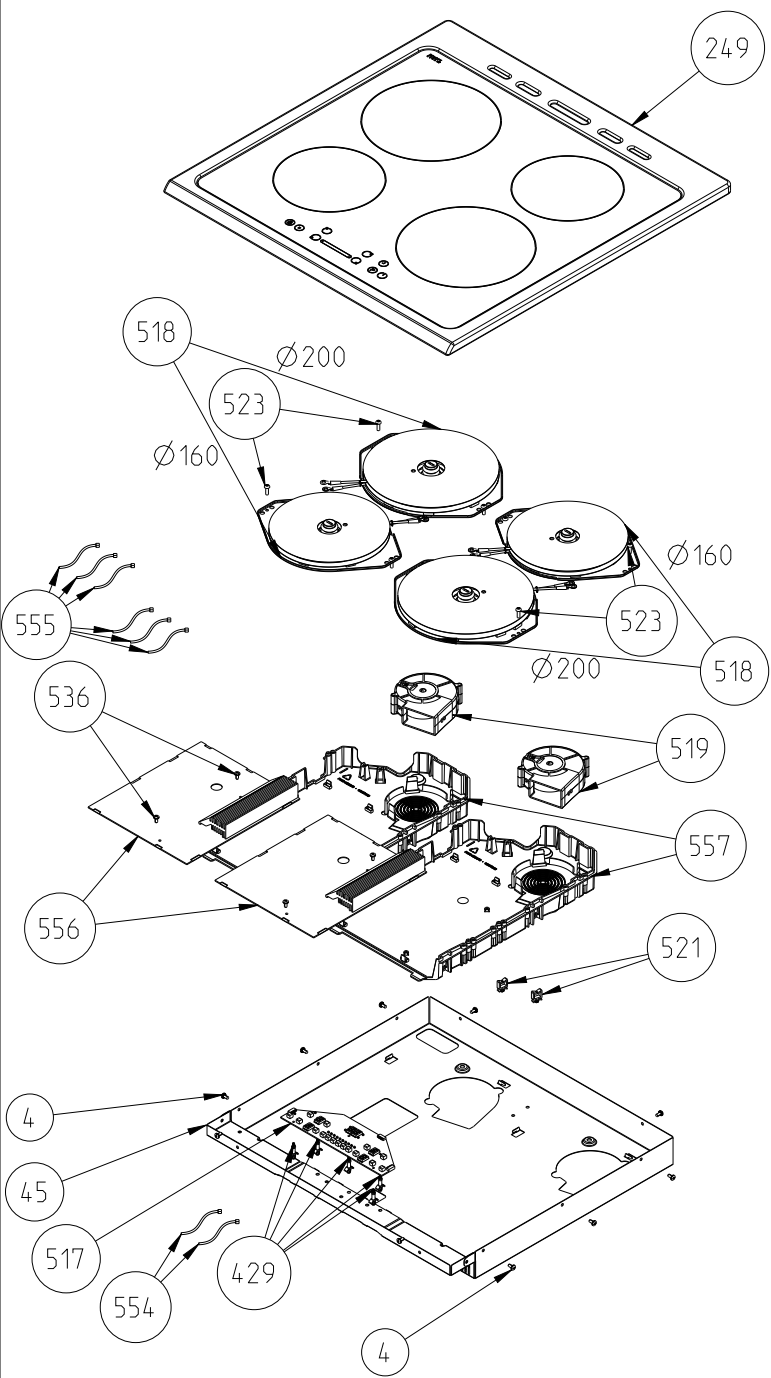
For specific part codes, please refer to the bom list of regarding model.”



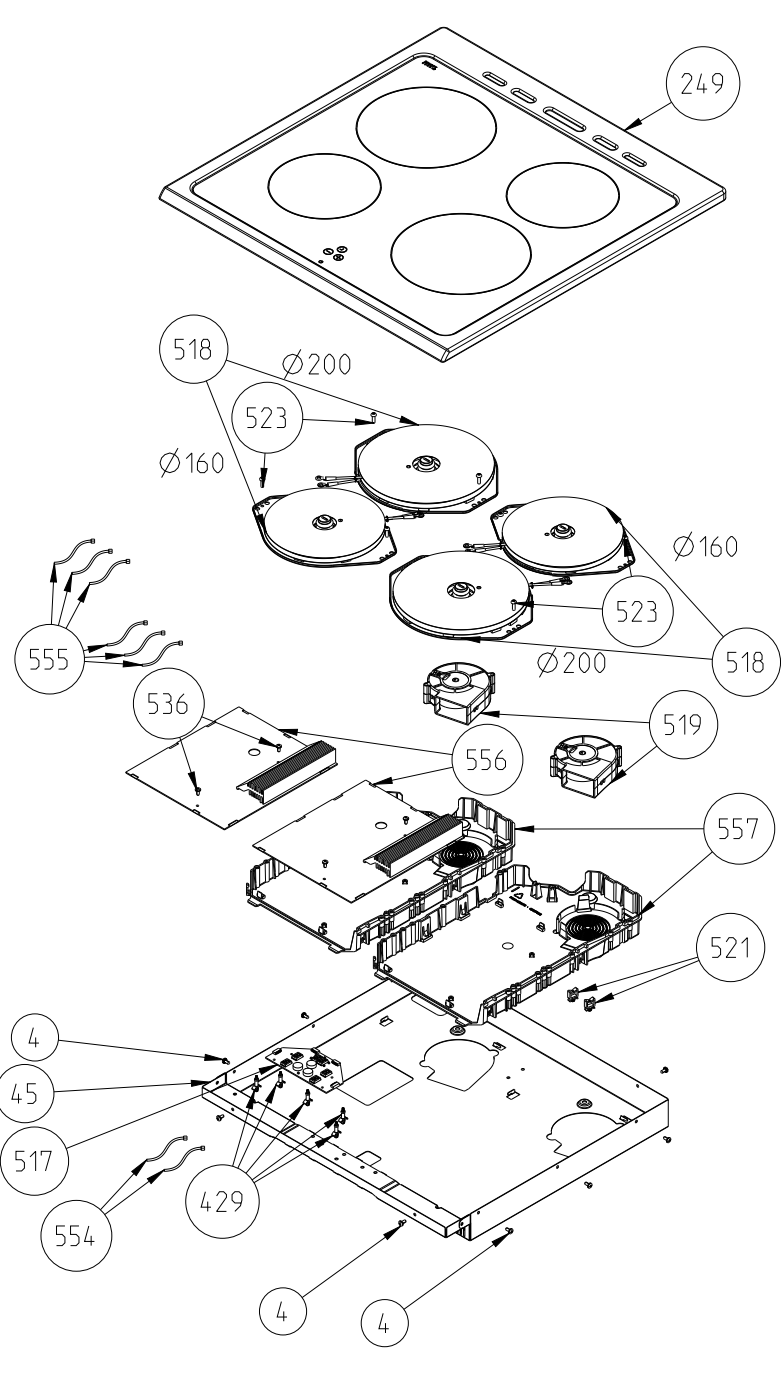
TOUCH CONTROL COOKTOP ASSEMBLY



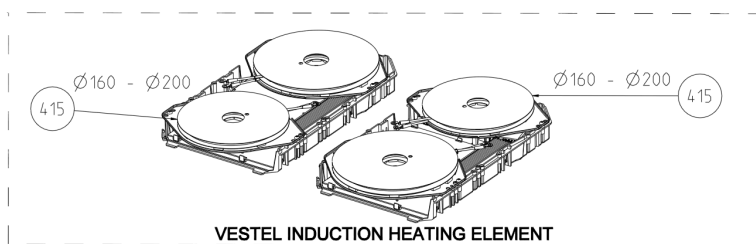
KNOB CONTROL COOKTOP ASSEMBLY



TOUCH CONTROL SLIDER COOKTOP ASSEMBLY



KNOB CONTROL COOKTOP ASSEMBLY

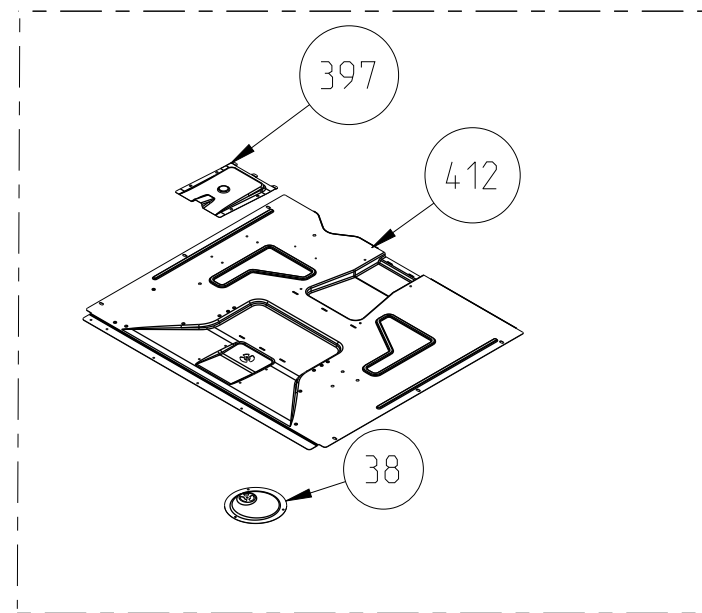
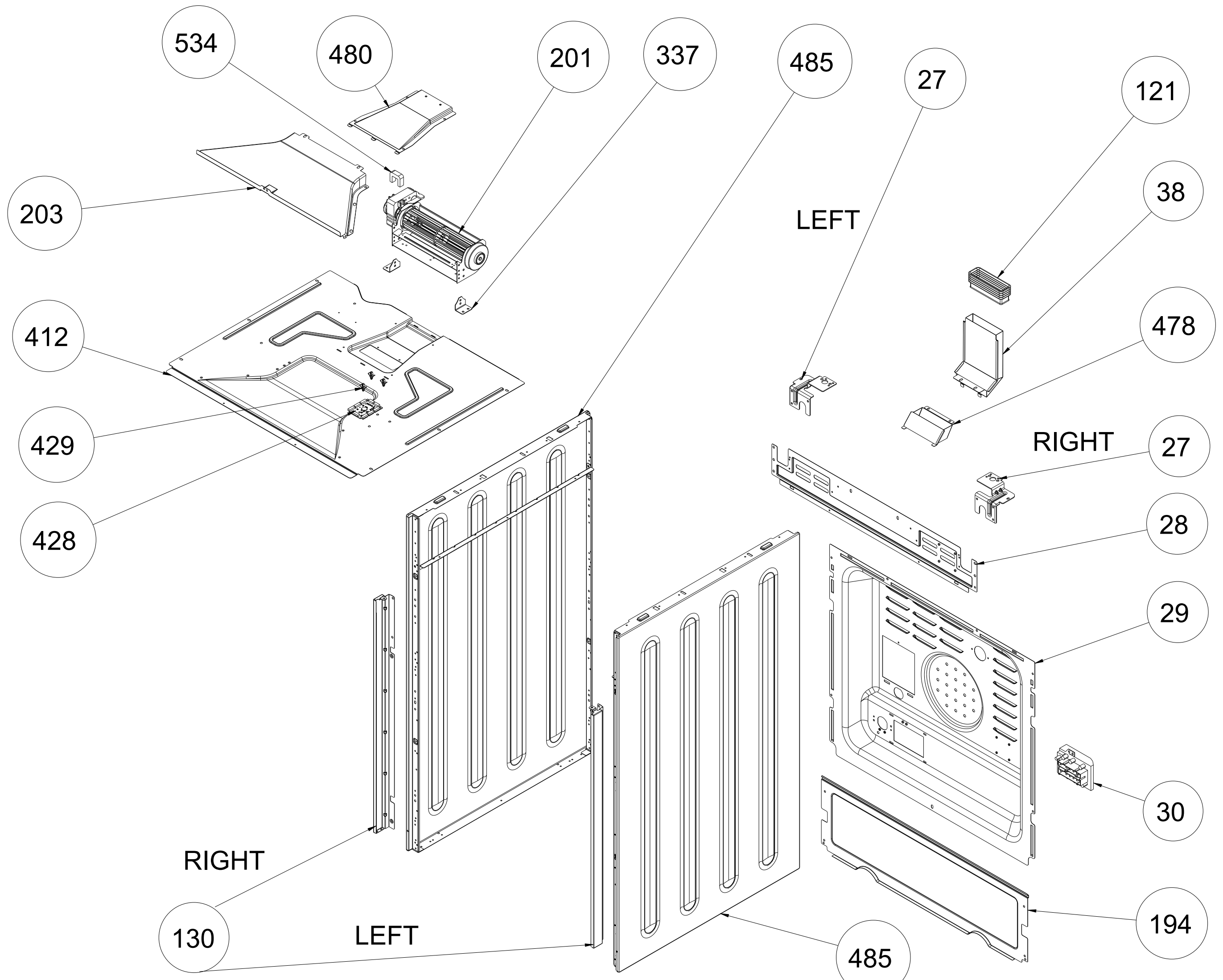


VESTEL INDUCTION HEATING ELEMENT

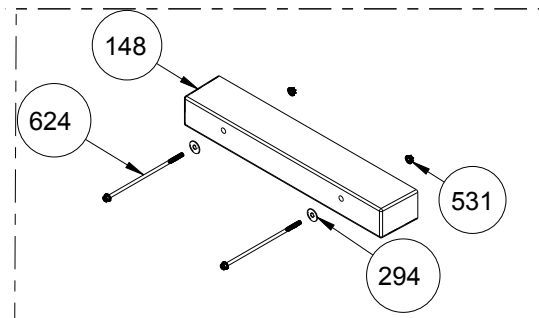
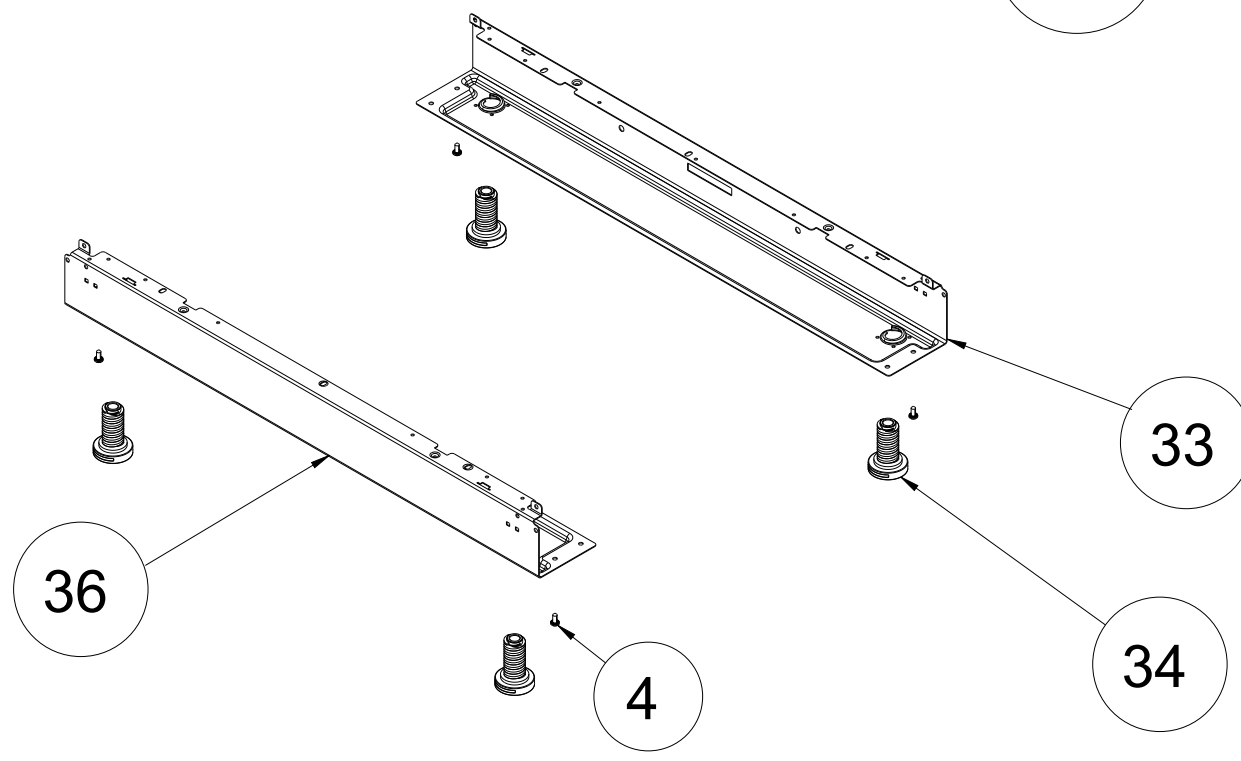
COOKTOP ASSEMBLY PARTS

POSITION NUMBER	PART NAME
4	SCREW (KNURLED, 3.9*9.5)
24	BSC INDC.FRTR UNIT
25	BSC INDC.FRTR UNIT SUPPORT
41	BSC INDC.HEATING ELEMENT
42	BSC INDC.HEATING ELEMENT SPRING
43	BSC INDC.INSULATION TAPE
44	BSC INDC.CONNECTION UNIT
45	INDUCTION HOB BOTTOM COVER (NEW G)
91	NUT / CYLINDER NUT
249	CERAMIC GLASS ASSEMBLY
256	SCREW (KNURLED,M3*5)
281	CONNECTION UNIT COVER
282	BSC INDC.CONNECTION UNIT CLAMP
323	INDC.POWER UNIT SUPPORT (NEW G)
415	VESTEL INDUCTION HEATING ELEMENT
429	FIXING BOLT (VESTEL, IND)
517	VSTL IND.TOUCH (TIMER,SLIDER)
	VSTL IND.TOUCH (FS KNOB CONTROL)
518	COIL IND 78-84uH 200MM Rohs
	COIL IND 81-87uH 160MM Rohs
519	FAN BLOWER 97MM 2800RPM 18.4CFM 12VDCROH
521	WIRE SADDLE (PINGOOD CH-10A) M TYPE(V0)
523	SCREW P C ZN YSMB 4*10
536	SCREW (CIRCULAR-HEAD 3*6.5)
554	DATA CABLE
555	SILICON CABLE
556	VESTEL INDUCTION BOARD
557	INDUCTION PLASTIK KAIDE

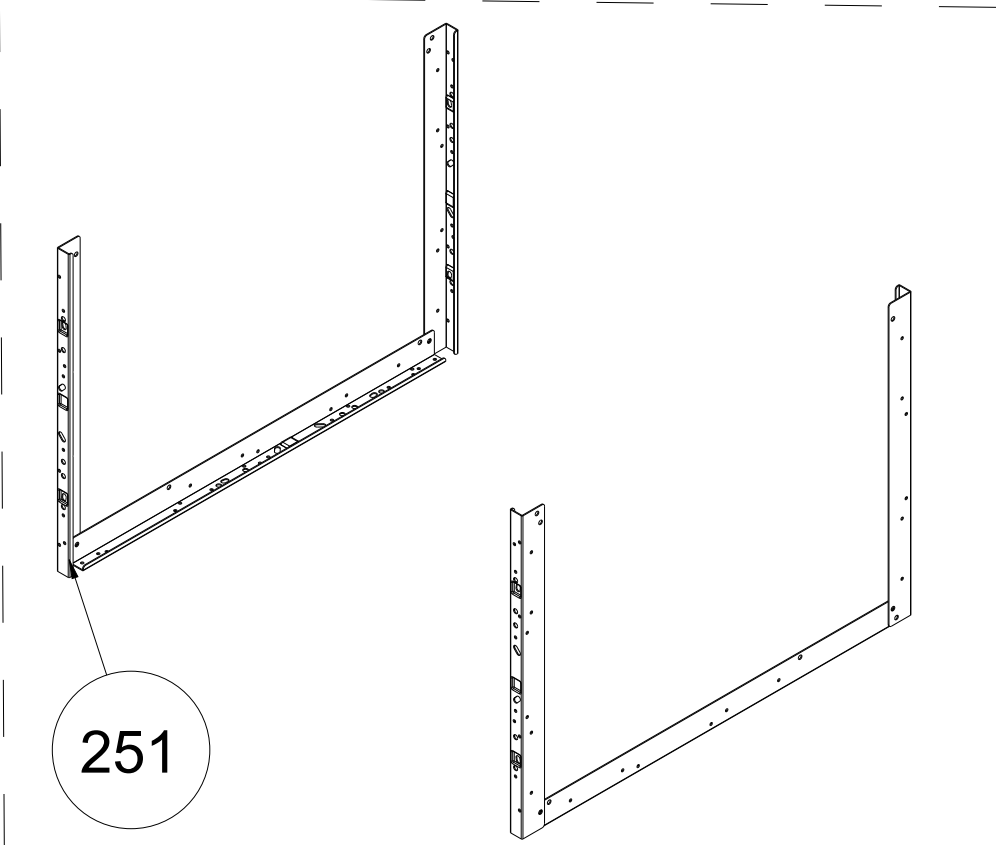
"The exploded views given in this document are generic. They include all possible versions of the product.For specific part codes,please refer to the bom list of regarding model."



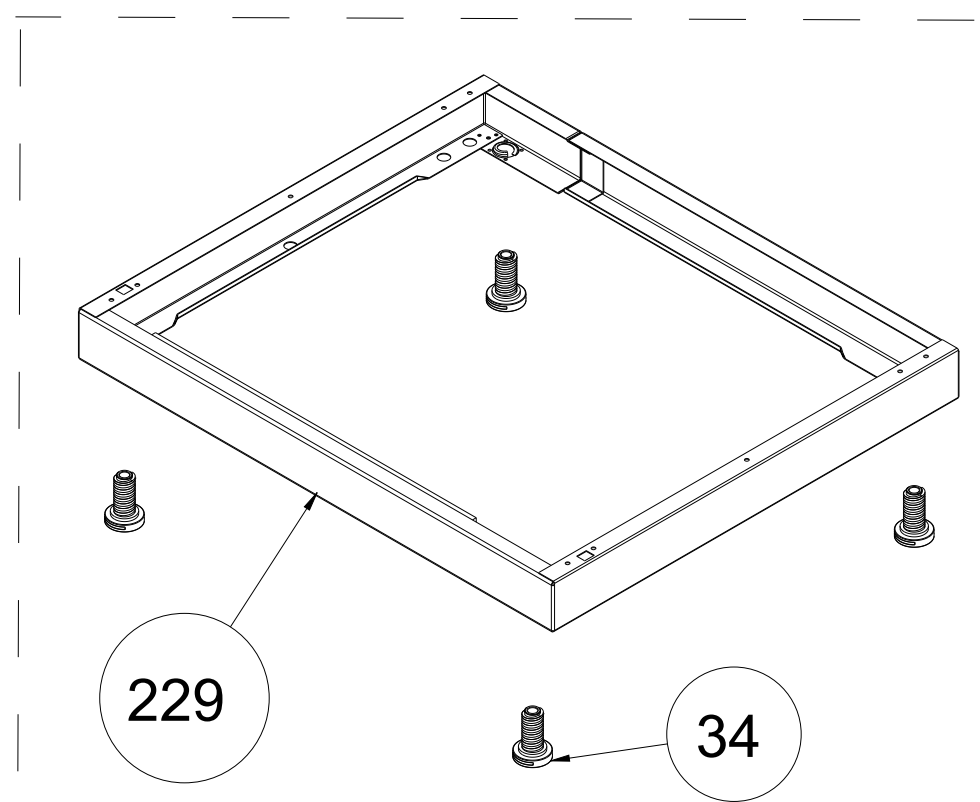
VESTEL INDUCTION EXHAUST GROUP



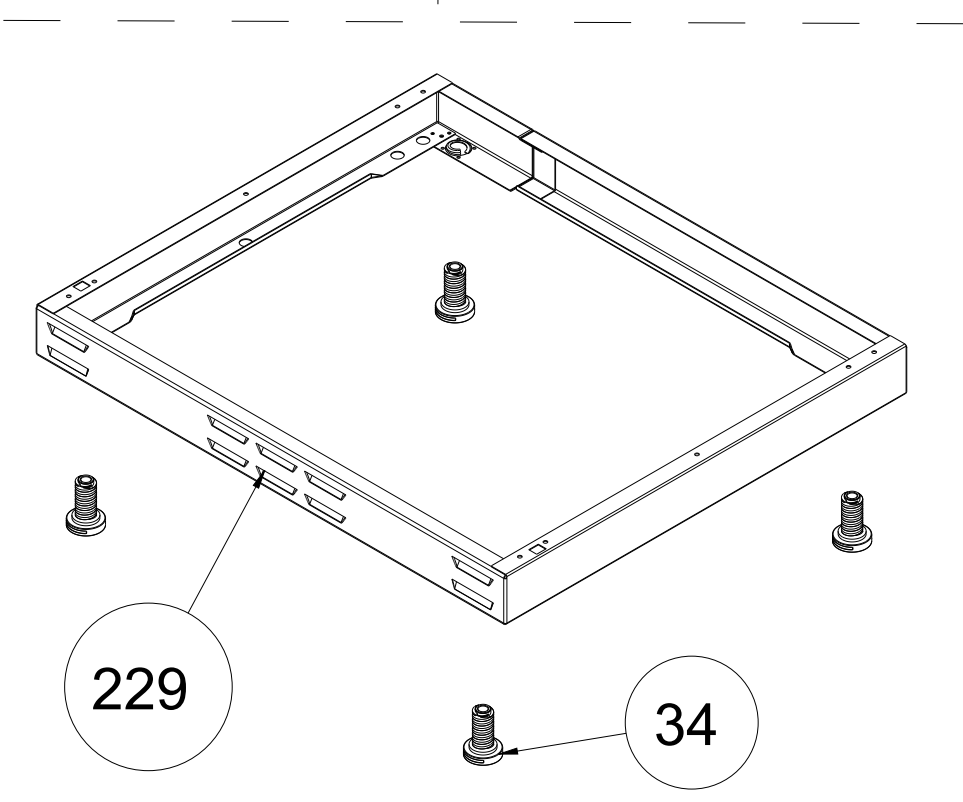
CONCRETE WEIGHT
Revision date : 01.04.2017



SIDE PANEL SUPPORT BRACKET
(ONLY FOR 85 CM)



ADDITIONAL BOTTOM SUPPORT



EXTRA BOTTOM SUPPORT
(WITH LOUVRES)

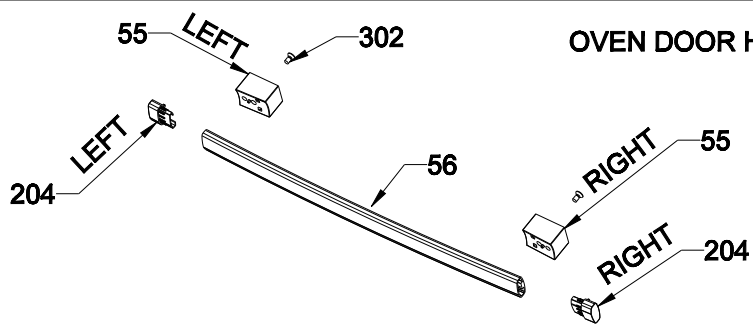
OPTIONAL (ONLY FOR FS 90 CM)

EXPLODED VIEW - SIDE PANEL ASSEMBLY

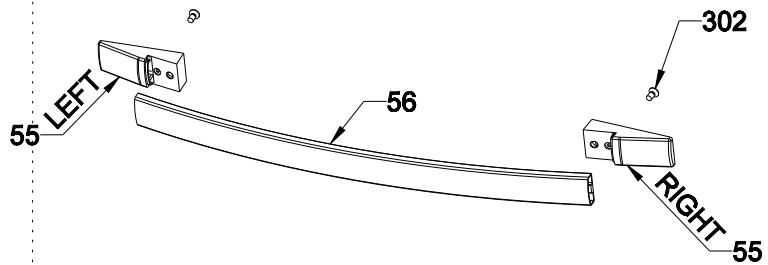
SIDE PANEL ASSEMBLY PARTS	
POSITION NUMBER	PART NAME
4	SCREW (3.9*9.5)
27	COOKTOP ANGLE IRON (LEFT / RIGHT)
28	REAR TOP PANEL
29	REAR PANEL
30	TERMINAL BOX
33	REAR PLINTH
34	ADJUSTABLE FOOT
36	FRONT PLINTH
38	TOP OVEN EXHAUST ASSEMBLY (NEW G)
121	GASKET (NEW G,66)
130	SIDE CLOSING PROFILE (FOR PLAT OVEN DOOR WITHFULL GLASS)
194	REAR BOTTOM LID (OPTIONAL)
201	COOLING MOTOR
203	COOLING FAN DUCT (NEW G)
229	EXTRA BOTTOM SUPPORT
294	WASHER
337	COOLING FAN MOTOR SUPPORTING BRACKET (NEW G)
397	EXHAUST ROUTING PART
412	COOLING FAN BASE (NEW G,IND)
428	BSC IND.KNOB ENCODER PCB (ONLY FOR KNOB CONTROL)
429	BSC IND.PCB SUPPOTER
478	MAIN OVEN EXHAUST ASEMBLY (NEW G)
480	EXHAUST PANEL (NEW FS)
485	SIDE PANEL CFB A.BR
531	FLANGED NUT
534	INDUCTION COOLING MOTOR GASKET
624	BOLT,AKB,M5X77,AA8,A3K

"The exploded views given in this document are generic.They include all possible versions of the product.For specific part codes,please refer to the bom list of regarding model."

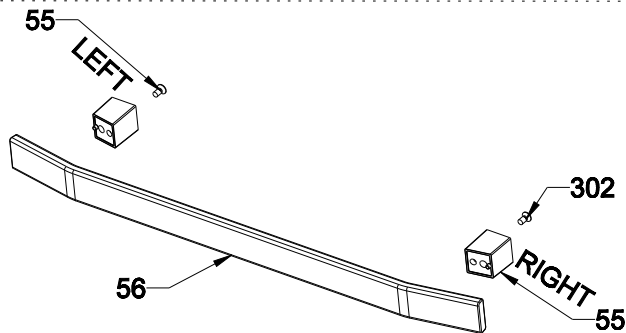
OVEN DOOR HANDLES (OPTIONAL)



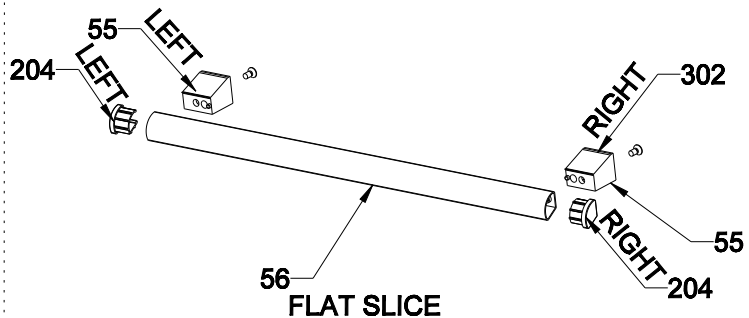
CURVED QUADRANGLE



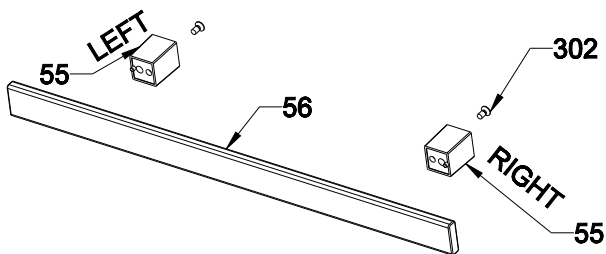
ARC QUADRANGLE



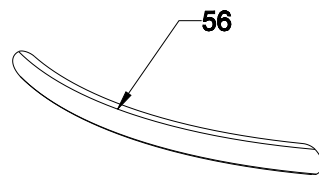
3D QUADRANGLE



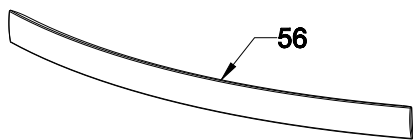
FLAT SLICE



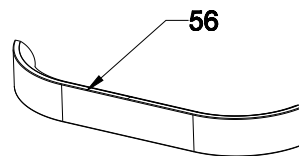
FLAT QUADRANGLE



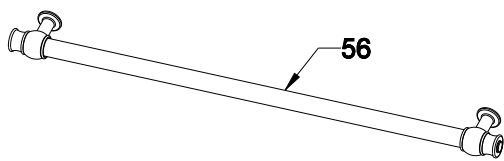
ELLIPSE ARC



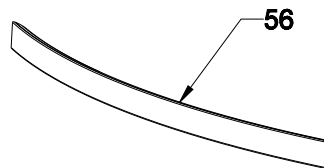
D PROFILE ARC, ELECTROLUX



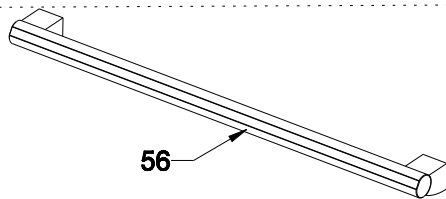
BOW



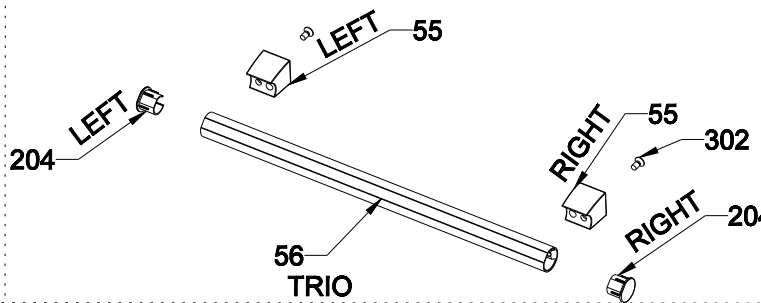
RUSTIK RISUS



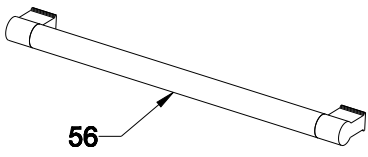
D PROFILE ARC



METALUX

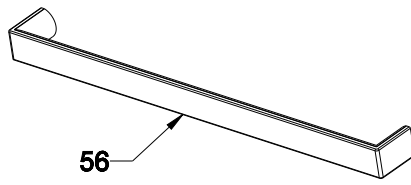


TRIO



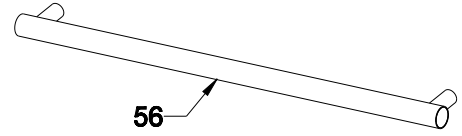
56

TROY



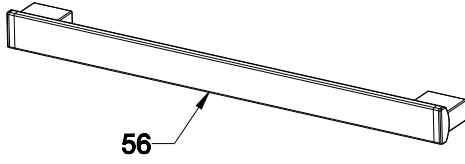
56

VERO



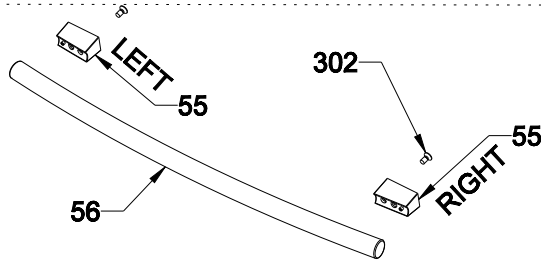
56

CYLINDER



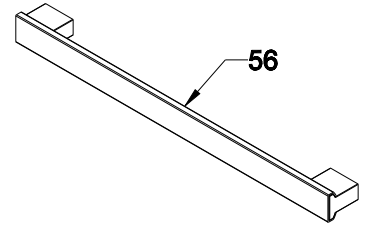
56

JUNO VESTEL ONLY



56

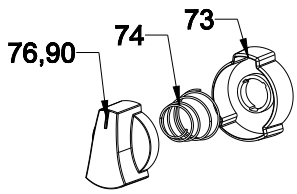
ARC TUBE



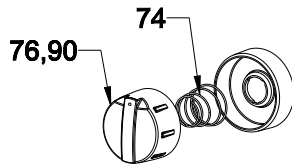
56

TITAN VESTEL & SHARP ONLY

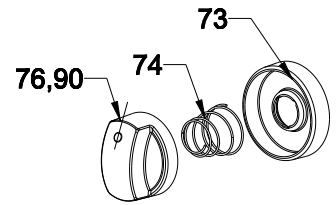
KNOBS (NEW FREESTANDING OVEN ONLY - OPTIONAL)



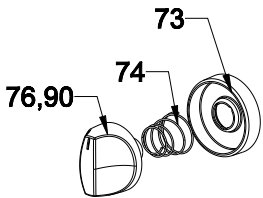
DELTA RING



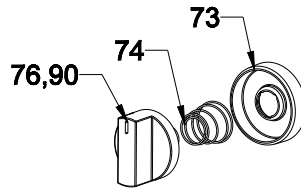
ANTERO



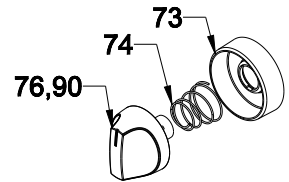
ECLIPSE RING



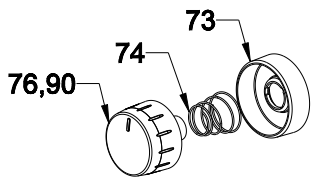
GAMA RING



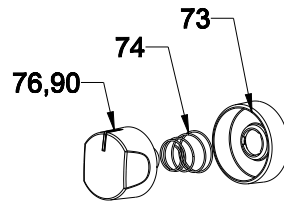
NORD RING



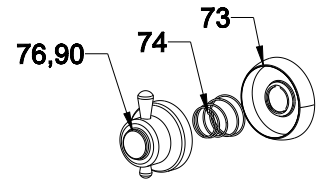
PELGIRIM



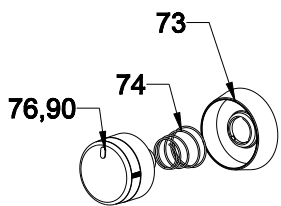
OMEGA



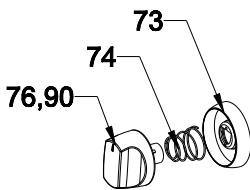
RIMO RING



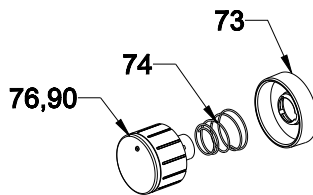
RUSTIK RISUS RING



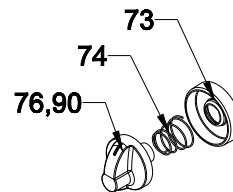
SIGMA



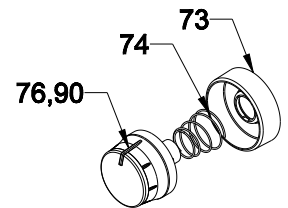
TRIO



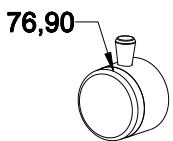
SMALL MACRO RING



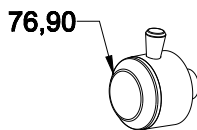
VARIO RING



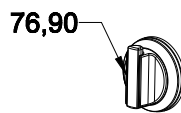
SPEKTRUM



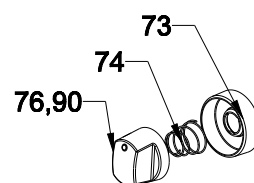
AGA CLASSIC ONLY



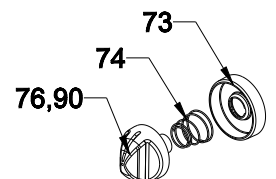
AGA KITCHENER ONLY



AGA PROFESSIONAL ONLY



VESTA



ZETA RING